A man in a dark blue suit stands in profile against a stone wall. The wall is composed of large, rectangular stone blocks. The man is looking to the right. The background is a solid purple color on the left side of the image.

Installation and Maintenance Manual

BT Versatility

Communications without
the complications



Contents

Introduction	2
General overview	2
Safety Precautions during installation and system upgrades	3
Electrostatic precaution (ESP)	3
Lightning and surge voltage protection	3
Installation checklist	6
Installing the Central Control Unit	7
CCU Location(CCU)	7
Mounting the CCU	7
CCU Mounting bracket clearances	8
Mounting the CCU	9
Modules located in the CCU	10
Module location	10
System Expansion	11
Installing the Backplane wall bracket	11
Mounting the CCU with two brackets	11
Mounting the Backplane	12
Expansion Modules	13
Installing an Expansion module	14
Analogue line module	15
Installing the Analogue Module in the CCU	15
Basic Rate ISDN expansion module	17
Installing the Basic Rate ISDN Module in the CCU	17
System ISDN settings	19
T. interface termination	19
S. interface termination	19
Voicemail module	20
Primary Rate Interface (Availability TBC)	21
Connecting the battery backup unit to the system	22
Connecting the Battery	23
Featurephone V16	24
V16 Featurephone connections (underside of phone)	24
Featurephone V8	25
V8 Featurephone connections (underside of phone)	25
Attaching the Featurephone desk plinth (V8 and V16)	26
V16 expansion console	27
Feature phone with console	27
Clip, Plinth and installation of the V16 expansion console	27
Wall-mounting a Featurephone	29
Door Intercom	30
Cabling the unit	31
Connecting the extensions	31
CCU connections	33
Door Intercom	33
Doorstrike	33
Connecting a MOHL unit	36
Connecting a PA (public Address) amplifier	34
Connecting a PC or Printer to the Serial Port	34
Ports Module MDF Connections	34
Internet Module MDF Connections	35
Options Module MDF Connections	35
Central Bell	36
External Extension	36
Expanding an Existing system	37
Installing an additional Network (Analogue or ISDN) module	37
Installing additional modules	37
Maintenance procedures	38
Hot Swapping faulty modules	38
Replacing a faulty Module MDF	39
Replacing Faulty PCBs	40
Replacing the 008 extension board	40
Replacing the CCU Control PCB	41
Power supply unit spare fuse	42
Replacing the Power Supply Unit	43
Replacing the CCU MDF	43
Power fail	44
Analogue	45
ISDN	45
Power up and test	46
Switch on	46
Commissioning	46
Programming	47
Internet Module Programming	49
Installation Wizard	49
ADSL	50
ISDN	51
Recommendations for customer training	52
Troubleshooting	53
Technical specification	54
INDEX	57

Introduction

This document describes the practices to be adopted by field engineers during installation and maintenance of the **BT Versatility**. A more detailed description of the product, along with customer programmable facilities and features, may be found in the **BT Versatility Owner's Manual**, which should be read in conjunction with this document.

General overview

- The **BT Versatility** is a new converged PBX and Data product, which can be connected to Analogue , ISDN and LAN networks.
- The **BT Versatility** is a hybrid PABX/key-system, which may be equipped with Featurephones (V8 or V16) or standard two wire DTMF telephones. Extensions can also be equipped with Fax or Answering machines.
- The **BT Versatility** is modular in construction and can be upgraded by adding various system expansion modules (Ports Modules, Options Module, Music on Hold module and Internet Module).
- The **BT Versatility** allows Voice connectivity to ISDN and Analogue MF or LD exchange lines.
- The **BT Versatility** may be configured with up to four internal S-Bus interfaces for connection to approved ISDN apparatus.
- The **BT Versatility** is a versatile, easy-to-use system, which is simple to install and maintain.
- The **BT Versatility** Internet Module. This provides Data connectivity to the Internet via ISDN or ADSL lines. It also provides an internal LAN.



The CE Marking on this equipment indicates compliance with the following:
This device conforms to Directive 1999/5/EC on Radio Equipment and Telecommunications Terminal Equipment as adopted by the European Parliament And Of The Council.

Safety Precautions during installation and system upgrades

Always unplug or isolate the mains supply when installing or upgrading the system.



After installing the central control unit (CCU) and all required modules, ensure that the following points are checked before switching the mains power on:



- The cabled extensions have a DTMF telephone or a (V8/V16) Featurephone connected.
- The CCU cover is in place and locked.

After switching on the Mains allow approximately 30 seconds for the CCU to go through its power up routine.

Electrostatic precaution (ESP)

The **BT Versatility** contains electrostatic components. To ensure long-term reliability of the system, electrostatic precautions should be taken when handling any of the system PCBs that are not enclosed in plastic. An ESP pillar is located on the CCU MDF.

Lightning and surge voltage protection

Extension cabling should not be exposed to high voltage surges, (for example, surges induced by lightning or neighbouring high current-carrying cables). If this is a possibility, external protection of the Main Equipment and Extensions using 'earthed line surge protectors' is essential.



BT Versatility - Packages, Spares and Maintenance Items

	BT Code
BT Versatility Pro. Plus(Includes System, VM, 1M,2V8)	
BT Vers Pro Plus 2+8 Digital VDS	007193
BT Vers Pro Plus 4+16 Digital VDS	007194
BT Vers Pro Plus 6+24 Digital VDS	007195
BT Vers Pro Plus 8+32 Digital VDS	007196
BT Versatility Advanced Digital (System, 8 Port VM Pro , 4V8 and V16 with the 12/32)	N/A
BT Vers Adv 2+8 Dig VDS	017672
BT Vers Adv 6+16 Dig VDS	017673
BT Vers Adv PRI+16 Dig VDS	017674
BT Vers Adv PRI+24 Dig VDS	017675
BT Vers Adv PRI+ 32 Dig VDS	017676
BT Versatility Voice Digital (Includes System, 2V8)	N/A
BT Vers Voice 2+8 Dig VDS	017677
BT Vers Voice 6+16 DigVDS	017678
BT Vers Voice PRI+16 Dig VDS	017680
BT Vers Voice PRI 24 Dig VDS	017681
BT Vers Voice PRI+32 Dig VDS	017682
BT Versatility Advanced Analogue (System, 8 Port VM Pro , 4V8 and V16 with the 12/32)	N/A
BT Vers Adv 2+8 Analog VDS	017683
BT Vers Adv 6+16 Analog VDS	017684
BT Vers Adv 8+24 Analog VDS	017685
BT Vers Adv 12+32 Analog VDS	017686
BT Versatility Voice Analogue (Incudes System, 2V8)	N/A
BT Vers Voice 2+8 Analog VDS	017687
BT Vers Voice 6+16 Analog VDS	017688
BT Vers Voice 8 +24 Analog VDS	017689
BT Vers Voice 12+32 Analog VDS	017690
Versatility Value Add Packs	N/A
BT Versatility VM & 4xV8 Phone Pack VDS	007213
BT Versatility Phone Pack 1 - 2 x V8 VDS	007214
BT Versatility Phone Pack 2 - 4 x V8 VDS	007215
BT Versatility Phone Pack 3 - 2 x V16 VDS	007216
BT Versatility Phone Pack 4 - 6 x V VDS	007217
BT Versatility Phone Pack 5 - V16 & V16 Console VDS	007218
Additional items	N/A
BT Versatility Digital Line Module ISDN VDS	007219
BT Versatility Analogue Line Module VDS	007220
BT Versatility Voicemail 2P VDS	007221
BT Versatility Voicemail 4P VDS	007222
BT Versatility Internet Module VDS	007223
BT Versatility BBU VDS	007224

BT Versatility
Installation and Maintenance Manual

BT Versatility 8 Port Extension Module VDS	007225
BT Versatility Hospitality Application VDS	007226
BT Versatility Options Module VDS	007227
BT Versatility V Telephone VDS	007228
BT Versatility V8 Featurephone	007229
BT Versatility V16 Featurehone VDS	007230
BT Versatility V16 XP Expansion Console VDS	007231
BT Versatility Door Intercom VDS	007232
BT Versatility Expansion Backplane VDS	007233
BT Vers V/email Pro 8P VDS	017691
BT Vers EMOH Module VDS	017693
BT Vers PRI Module VDS	017694
BT Vers M/board (40 Port) VDS	017695
BT Vers PSU (40 P) VDS	017696
BT Vers PRI Module Refurb	767408
BT Vers V/mail Pro 8P Refurb	767409
BT Vers M/board (40 P) Refurb	767410
BT Vers PSU (40 P) Refurb	767411
Maintenance items	N/A
BT Versatility V Featurephone MTC	007234
BT Versatility V8 Featurephone MTC	007235
BT Versatility V16 Featurehone MTC	007236
BT Versatility V16 XP Exapansion Console MTC	007237
BT Versatility Main System MDF Top Cover MTC	007238
BT Versatility Main System Front Cover MTC	007239
BT Versatility Module Access Door Cover MTC	007240
BT Versatility Wall Bracket (for CCU or Backplane) MTC	007241
BT Versatility System PSU - PCB Card only MTC	007242
BT Versatility Main CCU Extension Card MTC	007243
BT Versatility Motherboard MTC	010541
BT Versatility CCU MDF Card MTC	007245
BT Versatility V.24 Cable - incl DTYPE MTC	007246
BT Versatility 2m RJ45 Cable ISDN & Interet Mod WAN MTC	007247
BT Versatility CCU Housing screw 1/4 turn 4pk MTC	007248
BT Versatility BBU Blanking Plate MTC	007249
BT Versatility Expansn Backplane Bracket & Screw Pk MTC	007250
BT Versatility 8 Port Extension Module MDF Cover MTC	007253
BT Versatility 8 Port Extension Module (no MDF) MTC	007254
BT Versatility 8 Port Extension Module MDF only MTC	007255
BT Versatility Internet Module MDF Cover MTC	007256
BT Versatility Internet Module (no MDF) MTC	007257
BT Versatility Internet Module MDF MTC	007258
BT Versatility Options Module MDF Cover MTC	007259
BT Versatility Options Module (no MDF) MTC	007260

BT Versatility Installation and maintenance Manual

BT Versatility Options MDF MTC	007261
BT Versatility Mod Retentn Long 1/4 turn Screw MTC	007262
BT Versatility V16 Console to V16 Connection Cable MTC	007263
BT Versatility V16 PSU MTC	007264
BT Versatility PSTN Module MTC	007265
BT Versatility ISDN2 Module MTC	007266
BT Versatility Voice Mail Module 2 Port MTC	007267
BT Versatility Voice Mail Module 4 Port MTC	007268
BT Versatility Battery Backup Module MTC	007269
BT Versatility Door Intercom MTC	007270

Installation checklist

Carry out the following steps to install the system:

FIRST, read the safety and precaution information on page 3 carefully.

SECOND, mount the Main Equipment as detailed in the section on page 7

THIRD, install the Network and Expansion modules as required

At least one Analogue Line Module must be installed to access the Analogue network.

At least one ISDN Basic Rate Module or ISDN Primary Rate Module must be installed to access the ISDN network.

A Ports module must be installed if the following is required:

- More than 8 Extensions
- More than four Analogue Lines
- More than two ISDN Basic Rate Accesses
- More than one ISDN S-bus

If no options module is installed "External Music on Hold" can be provided through the MOH Module connected to an extension. See page 33 for details on connection of the unit.

An Internet module must be installed if an internal LAN or connection to an ADSL Line is required

A Voice Module must be installed to provide Voicemail or Auto Attendant functionality.

The Battery Back Up Module and battery must be installed if battery back up is required.

FOURTH, cable the Extensions to the Main Equipment and install the system Featurephones and standard telephones as detailed in the Cabling Section Page 31 . This section also covers installation the following:

- Long-line Extension,
- Door Intercom,
- Doorstrike,
- Central Bell,
- External Music-on-Hold,
- Public Address
- V24 Interface to provide Call Logging.

FIFTH, cable the Analogue and ISDN Line connections as detailed in the cabling section Page 31.

SIXTH, commission the system and provide customer training as detailed in the Commissioning section Page 46 and 47.

Installing the Central Control Unit

CCU Location(CCU)

The CCU is intended for installation in a residential or office-type environment. It needs to be mounted at a convenient working height on a dry, flat wall. The normal height is 1.5 m from the floor to the bottom of the CCU case.

Do not site the CCU where it will be subjected to excessive levels of heat, dust, damp or high humidity. Locating the equipment near sources of electromagnetic radiation, such as heavy electrical switch gear, lift machinery or electric arc welders, should be avoided.



Allow at least 150 mm of free space all around the CCU for ventilation.

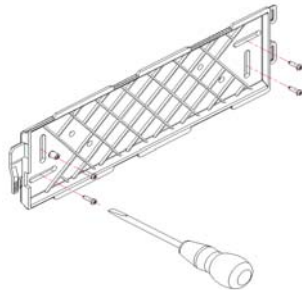
The CCU needs to be located within two metres of a dedicated mains power supply outlet. The CCU must not share the same mains supply socket with any other electrical appliance.

Mounting the CCU

When a suitable location has been found, mark the screw locations on the mounting surface, using the mounting bracket provided.

If the CCU is being mounted on masonry or plasterboard, suitable wall plugs must be used. Drill and plug four holes in the wall at the marked locations. The holes should be deep enough to accept a 2.5cm screw.

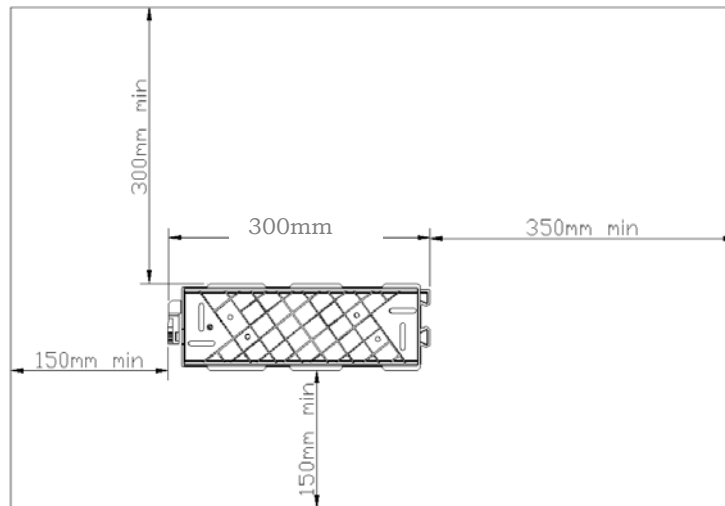
Wall mount bracket



CCU Mounting bracket clearances

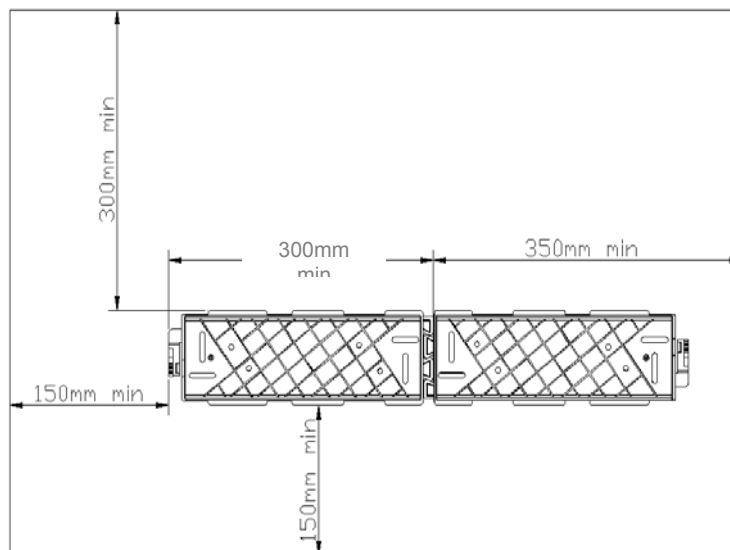
The main unit is mounted on a wall using the bracket supplied and should have top and side clearance as shown below.

CCU Mounting Bracket



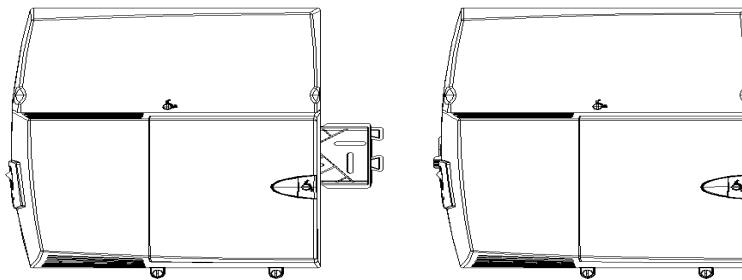
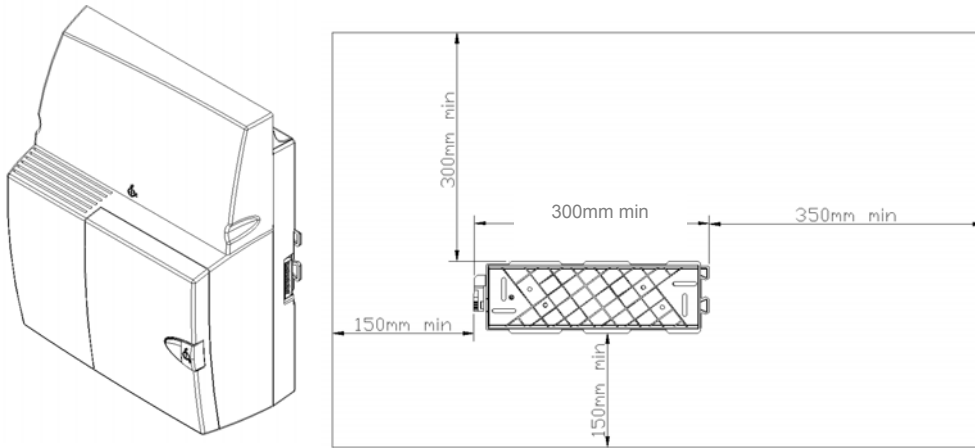
If the system is to be equipped with a Ports, Options or Internet module then two mounting brackets need to be installed.

CCU Bracket + Backplane Bracket

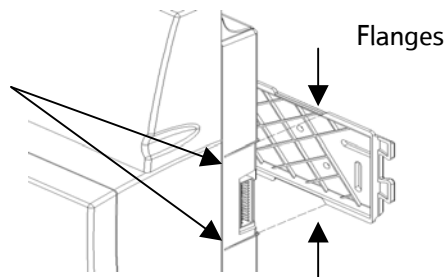


Mounting the CCU

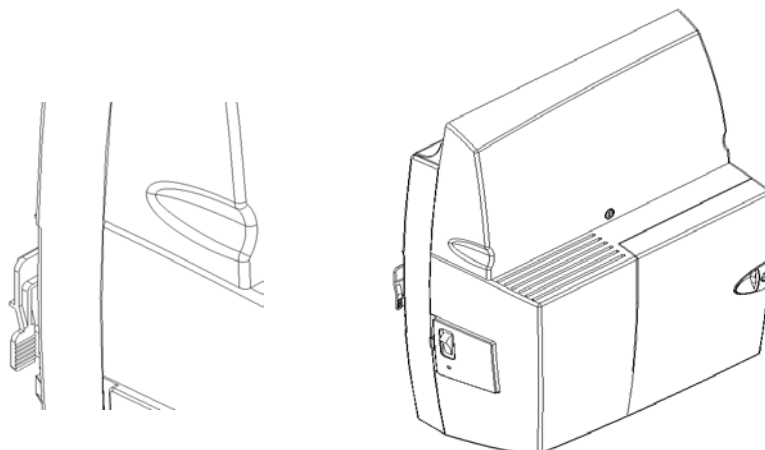
The CCU is mounted on the bracket by sliding it on from the left hand side. The marks on the side of the CCU must be lined up with the flanges on the wall bracket as shown below before sliding the CCU into place. When you slide it fully to the right-hand side of the bracket the CCU is automatically locked in place.



line marks up
with flanges



To remove the CCU depress the lock located on the left-hand side of the wall bracket. Slide the CCU to the left to remove it from the bracket.



Modules located in the CCU

There are a number of modules that can be installed in the CCU.

- Analogue Line Module (Coloured Black). This provides 2 Analogue exchange lines. Up to two of these modules can be installed in the CCU to provide two or four Analogue lines.
- Digital Line Module (Coloured Red). This card provides one ISDN 2 Basic Rate Interface. The same module is used for the network T interface and the internal S-bus. Up to two of these modules can be installed in the CCU providing one or two Basic Rate Interfaces.

There are two slots in the CCU for the Network modules. If required one slot can be equipped with an Analogue module and the other with an ISDN Module.



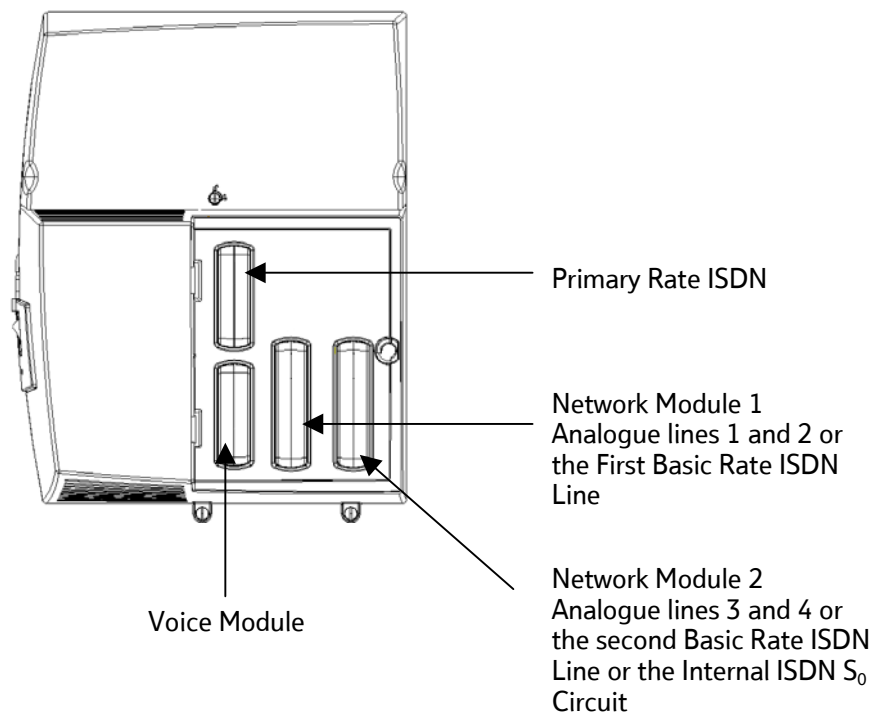
- Voice module 2 or 4 port (Coloured Blue). Only one of these modules can be inserted in a unit.
- Primary Rate ISDN module (Coloured Yellow). This module provides for a Primary rate ISDN interface. Up to 30 B-channels can be provided. (Availability TBC)

When a Primary Rate Interface is installed, the unit can be further equipped with one or two Analogue modules or one or two ISDN Basic Rate modules to provide backup in the event of the Primary Rate interface failing.



Module location

The Network, Voice and Primary Rate module locations in the CCU are indicated below.



System Expansion

To equip the switch with more than 8 extensions or to add an Internet or Options module, a backplane, mounted on a second wall bracket, is needed.

The power must be disconnected to install the backplane or expansion modules.



Installing the Backplane wall bracket

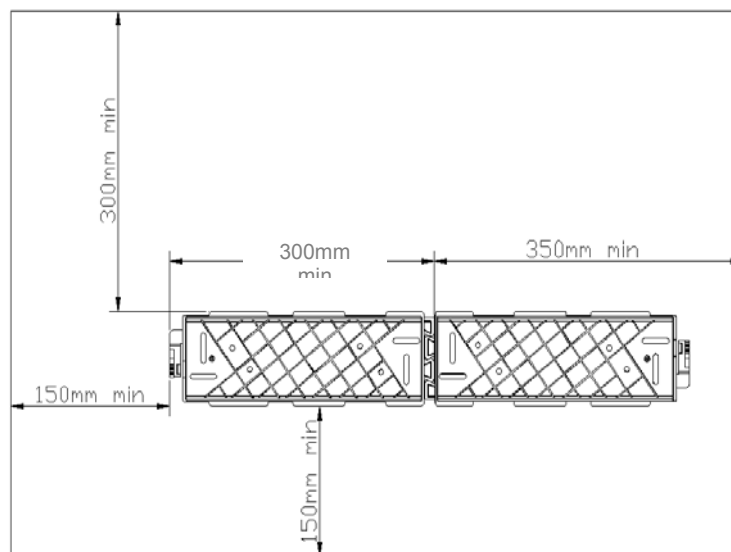
The CCU and Backplane brackets are identical. However when both are installed the backplane bracket is inverted so that it meshes closely with the CCU bracket.

Locate the second bracket and mark the screw holes. Drill and plug the holes in the wall at the marked locations. The holes should be deep enough to accept a 2.5cm screw.

Mount the second bracket ensuring the two brackets are correctly interlocked and that sufficient clearance is provided on all sides.

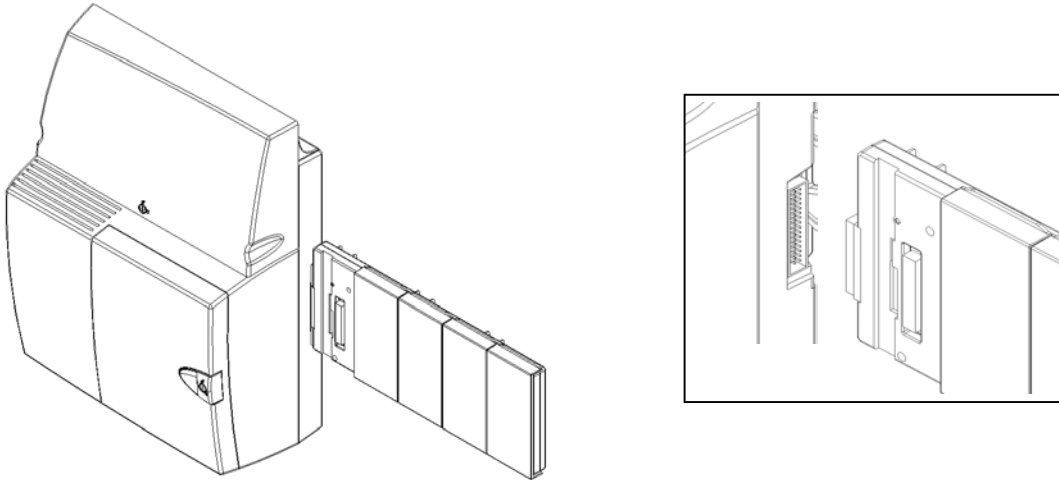
Mounting the CCU with two brackets

Slide the CCU on to the brackets from the left-hand side. Ensure that the locking mechanism is activated.



Mounting the Backplane

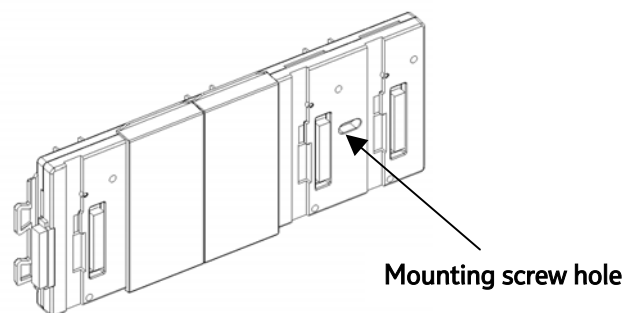
Slide the backplane on from the right hand side. Ensure the connector is fully mated with the CCU.



Securing the backplane to the wall bracket

A mounting screw is used to securely locate the backplane on the wall bracket. This provides additional rigidity to ensure the backplane and CCU connectors do not move.

Remove the fourth and fifth cover from the backplane. Locate the backplane on the bracket and connect it to the CCU. The backplane must be fully connected to the CCU to correctly locate the mounting screw hole. Insert the screw into the pillar on the bracket, which can be seen through the backplane mounting screw hole.



Expansion Modules

There are three types of expansion module that can be installed on the back plane. These are the Ports Module, the Internet Module and the Options Module. All these modules are installed in the same way.

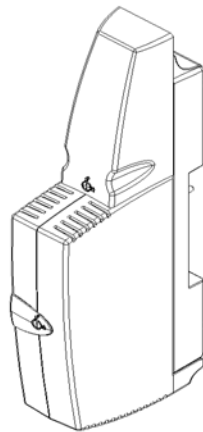
Modules are supplied in two parts. The MDF, which is connected to the backplane, and the module which is inserted into the MDF.

The Ports MDF is also equipped with two connectors for the Analogue and /or the ISDN Basic Rate modules.

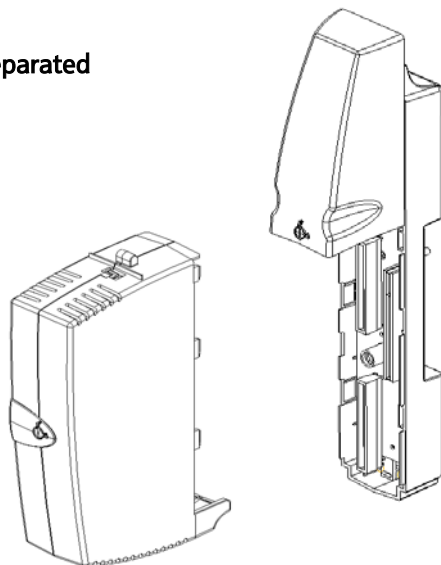
The power must be disconnected when installing the Backplane or expansion modules



Module with MDF



Module and MDF separated

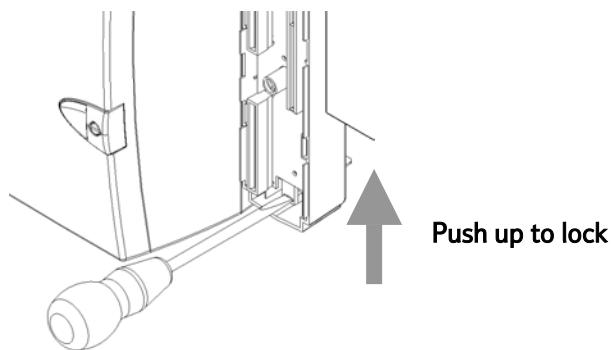
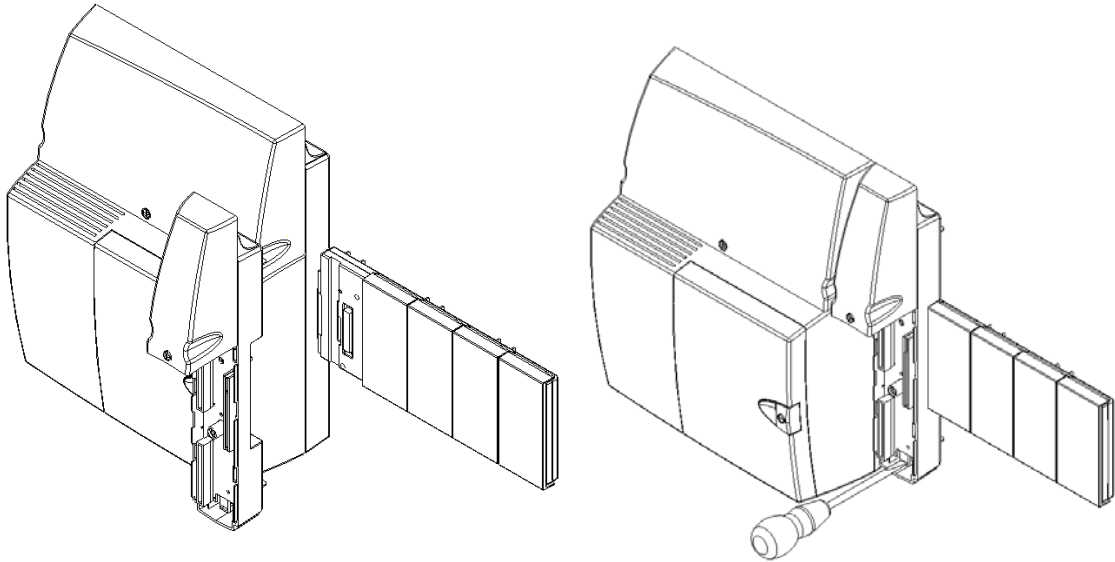


Installing an Expansion module

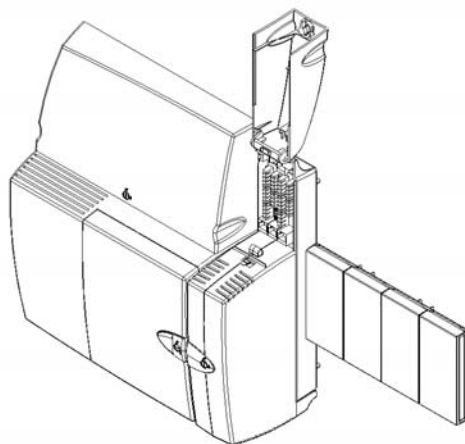
Install the Backplane as described on page 12.

Install the MDF in the first free left-hand slot on the backplane.

Lock the MDF in place by pushing the lock bar upward using a screwdriver.



Lift the MDF cover and install the module.

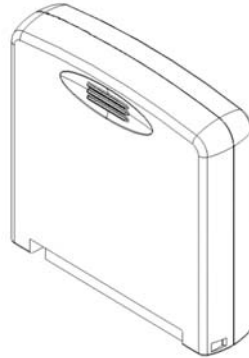


Analogue line module

The Analogue Line module contains circuitry for 2 Analogue Lines.

The module is coloured BLACK and it can be installed in the CCU and also on the Ports MDF.

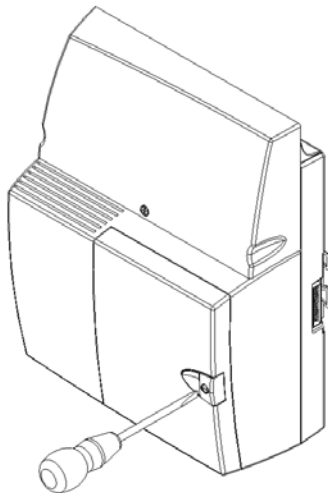
Analogue Module



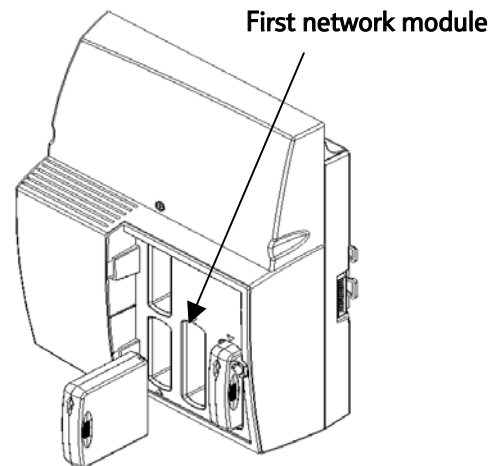
Installing the Analogue Module in the CCU

Remove the cover of the CCU. Insert the Analogue module in the Network slot or slots in the CCU. The left -hand slot is the first module position

Remove the cover.



Locate the Module



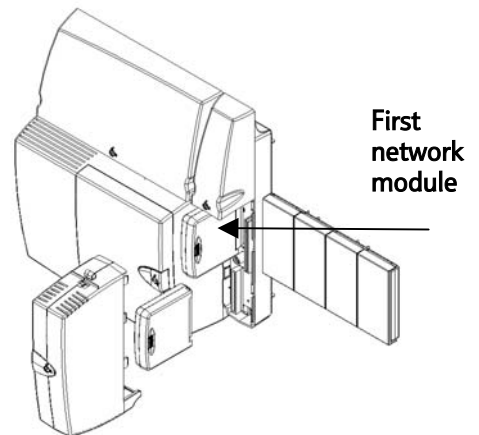
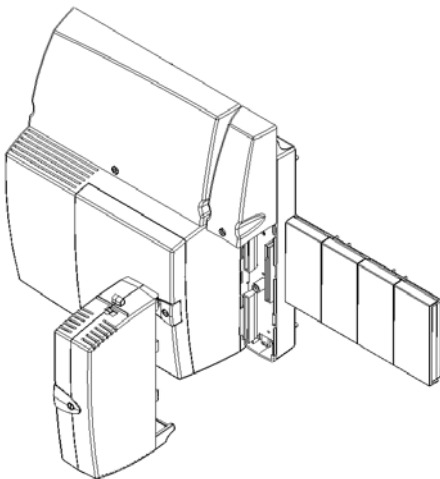
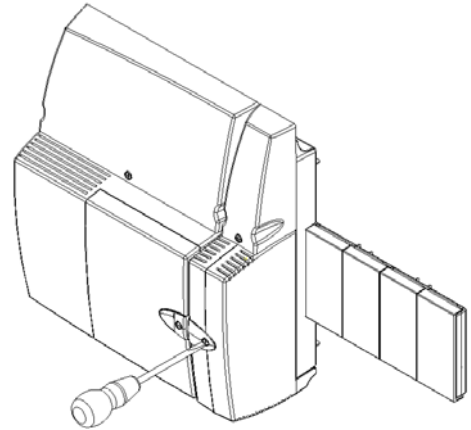
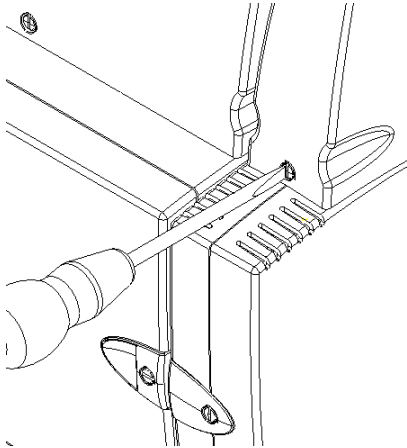
To Locate the Analogue Module in the Ports Module:

Remove the Ports Module by firstly opening the Ports MDF cover

Open the Ports module and remove it from the MDF

Insert the Analogue Module (or modules) on the MDF connectors

The upper slot is the first module position



Basic Rate ISDN expansion module

The ISDN Basic Rate Module provides one Basic Rate ISDN circuit (2B+D).

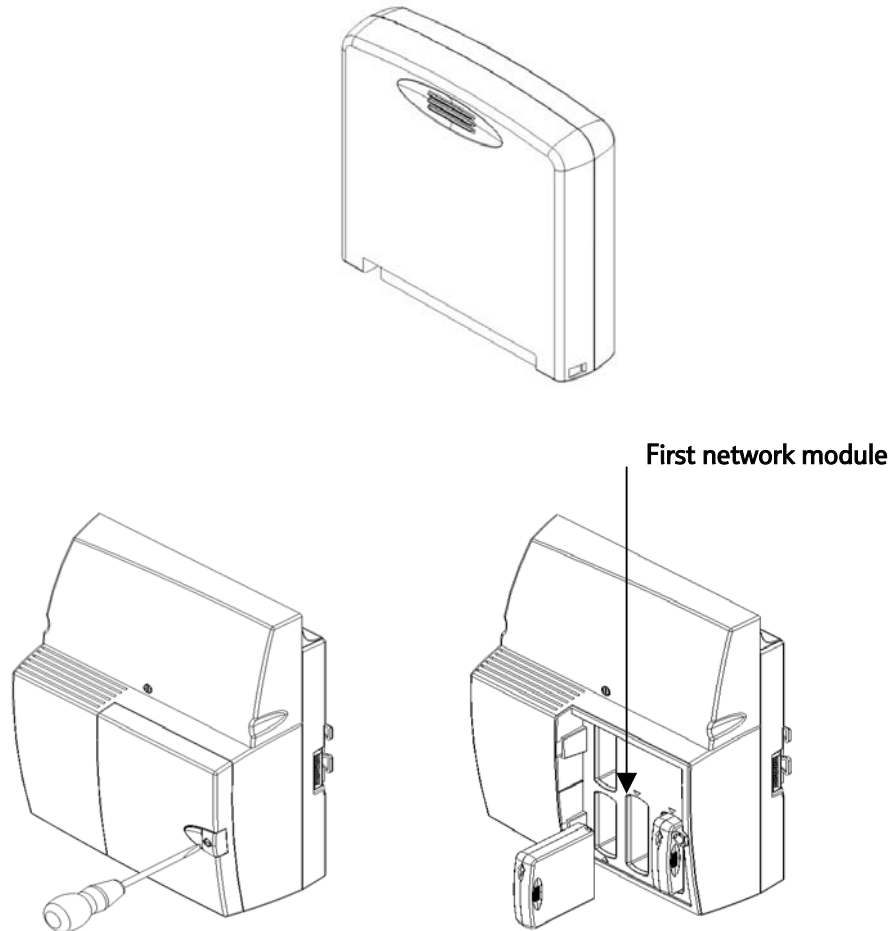
The module is coloured RED, and can be installed in the CCU and also in the Ports MDF.

Installing the Basic Rate ISDN Module in the CCU

Remove the cover of the CCU as shown.

Insert the Basic Rate ISDN module in the Network slot or slots in the CCU as shown:

Digital Line Module (ISDN 2)



To Locate the Digital Line Module (ISDN 2) in the PORTS module

Remove the Ports Module by firstly opening the Ports MDF cover

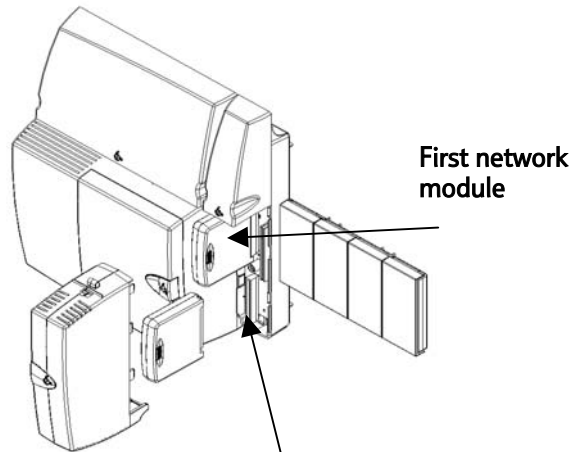
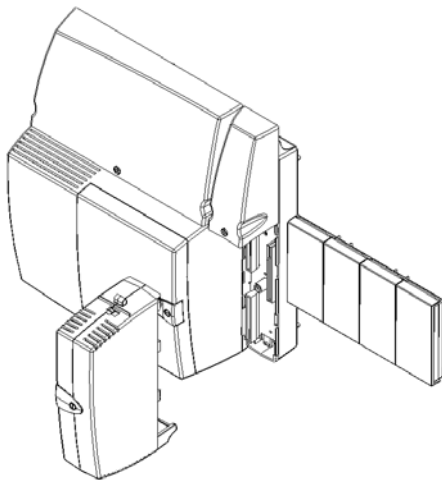
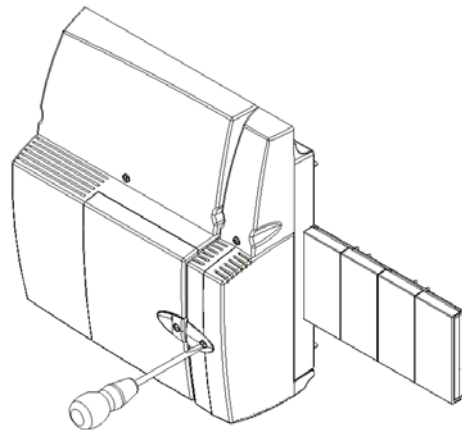
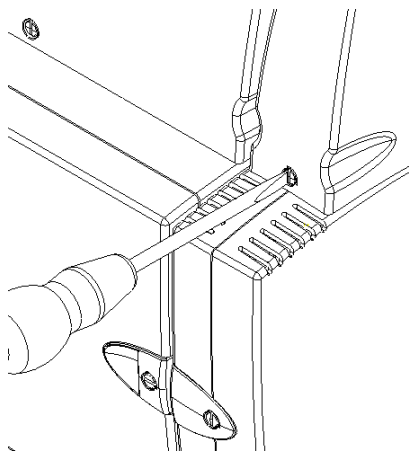
Open the Ports module and remove it from the MDF

Insert the Digital Line Module (or modules) on the MDF connectors

The upper slot is the first module position

The top connector is for the first module that connects to the Network only.

The lower connector is for the second module. This can be an ISDN 2 Network connection or an internal ISDN S-bus connection



System ISDN settings

The system can be configured with 8 Basic Rate ISDN interfaces. Half of these can be configured for internal S-bus operation.

The second interface on the CCU and each of the Ports Modules can be programmed as S-bus interfaces for ISDN to-the-desk.

T₀ interface termination

An ISDN bus must be terminated twice, once at the start and once at the end of the bus. The Network Terminating Equipment (NTE) will provide the termination at the start of the bus. The end termination is also provided by the NTE if the BT Versatility is directly connected to one of the NTE RJ45 sockets.

If ISDN 2 extension cabling and sockets are provided between the NTE and the switch the end terminating resistor will normally be provided by an ISDN type 2 RJ45 line jack.

In both of these cases **BT Versatility** T₀ interface does not require the terminating resistor to be connected and the associated switches in the MDF associated with the T₀ interface must be set to OFF (Default).

NOTE: In the case of structured cabling if no end termination is provided, the associated switches in the MDF associated with the T₀ interface must be set to ON.

S₀ interface termination

An ISDN S-bus must be terminated twice, once at the start and once at the end of the bus. The **BT Versatility** S₀ interface emulates the Network Terminating Equipment (NTE) and consequently is always terminated with 100 ohm resistance. In this case the switches associated with the interface in the MDF must be set ON.

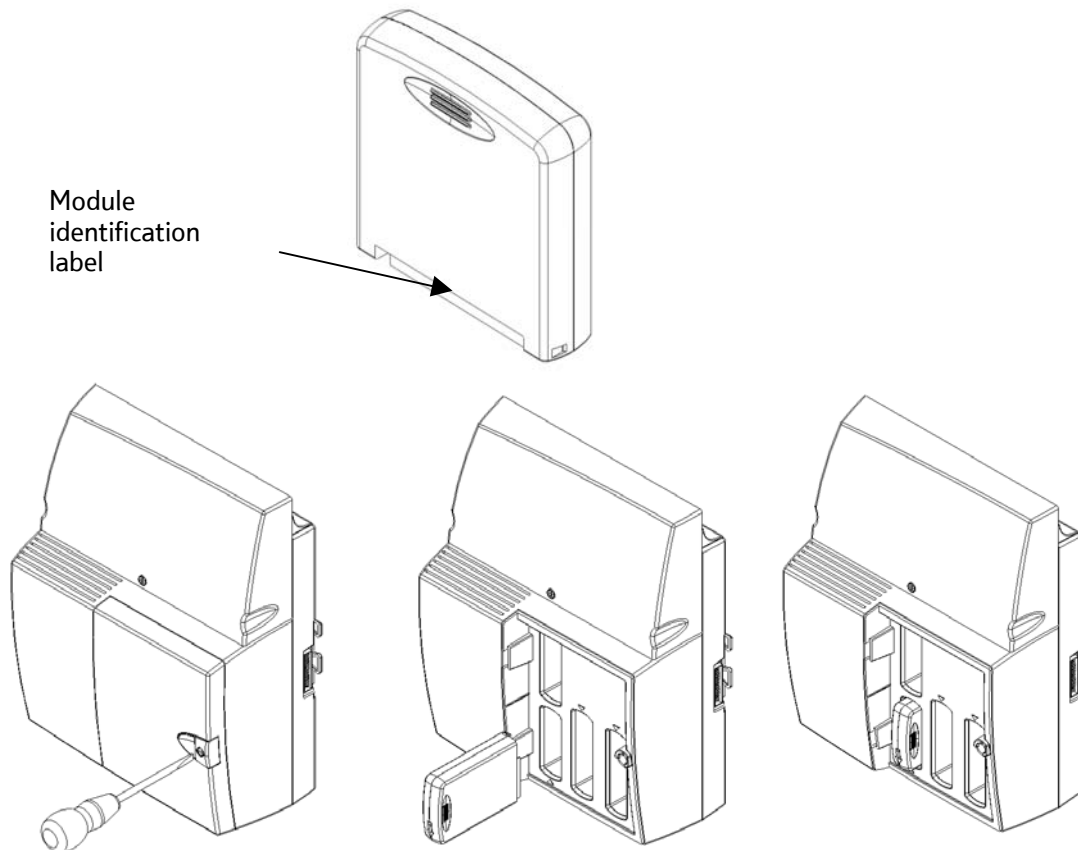
Voicemail module

The Voice module is coloured BLUE

It is located in the Voice Module slot in the CCU.

There are two versions. Two Port with 2 hours capacity, 4 port with 4 hour capacity and 8 port with 20 hours capacity.

A label identifies the 3 different modules. The label location is indicated in the drawing below.



Back up Voice Module voice messages and Greetings

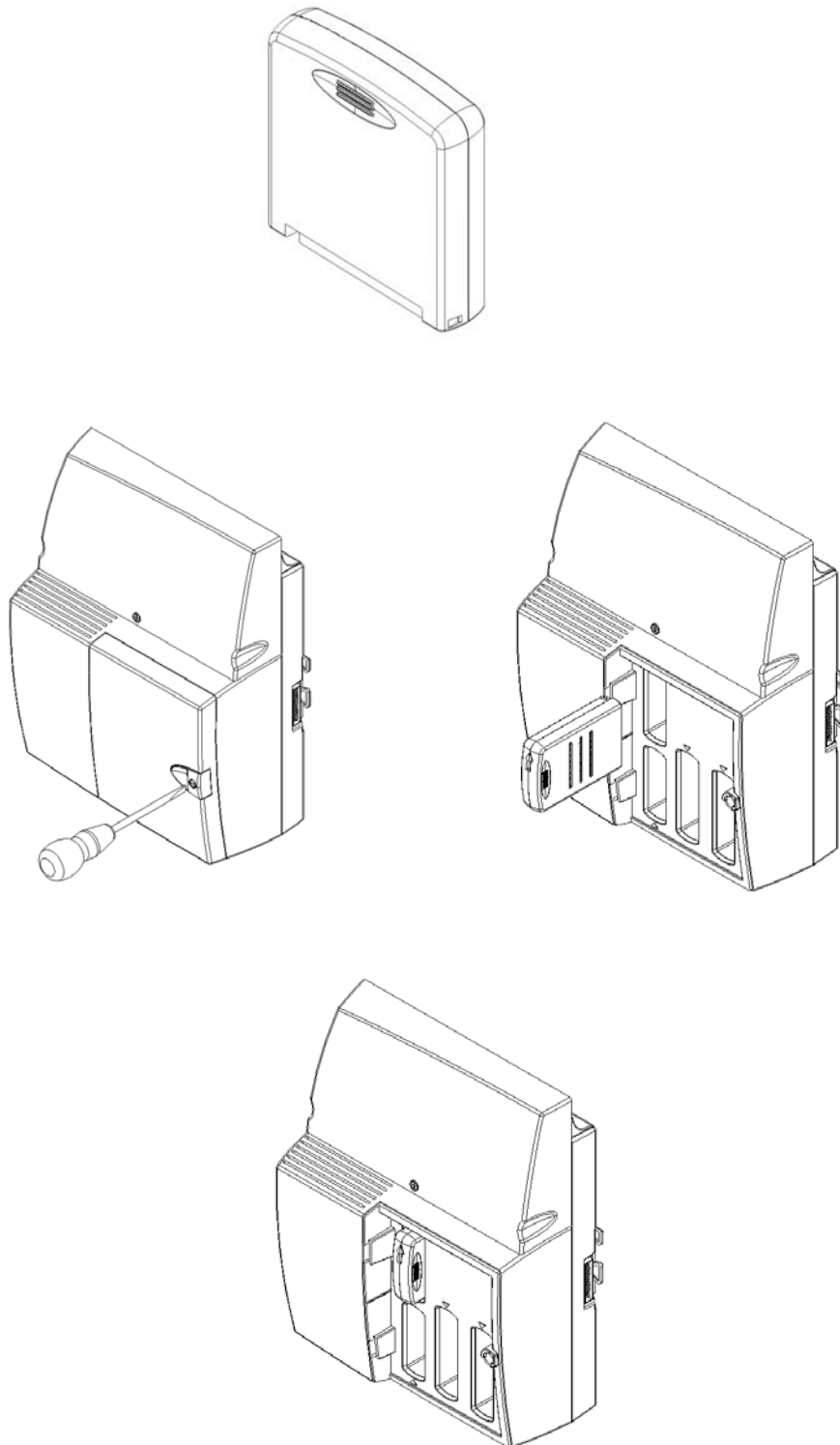
The ability to back up all the voice messages and greetings recorded on the voice module is available, so that they are not lost if the system software is upgraded. Before the software download is started the voice module information is retrieved using that option in Remote Management Software.

Once this is done the voice module is effectively deactivated, therefore it is unavailable to users trying to record messages until the software download is completed and the voice module information restored back to the system.

The voice module is now re-activated and available for use and all the greetings and messages present before the software download are still present.

Primary Rate Interface (Availability TBC)

The Primary rate ISDN Module (30B+D) is coloured Yellow
It is located in the Primary rate ISDN Slot in the CCU



BT Versatility

Installation and maintenance Manual

Connecting the battery backup unit to the system

The Battery back up provides operation of an 8 + 32 system with 8 external calls and 3 internal calls running for approximately 40 minutes in the event of a power failure. The battery will support 11 erlangs of voice traffic for 40 minutes.

**An erlang is a measure of telephony traffic.
1 erlang = 1 circuit fully occupied for 1hour**

The Battery back up consists of the 12 V battery and the charger unit

Before installing the battery charger unit ensure that the system is powered down by disconnecting the mains.



To install the unit, remove the blanking cover on the left side of the CCU.

Open the CCU main cover by releasing the four 'quarter turn' screws
Slide the BBU in about half way.

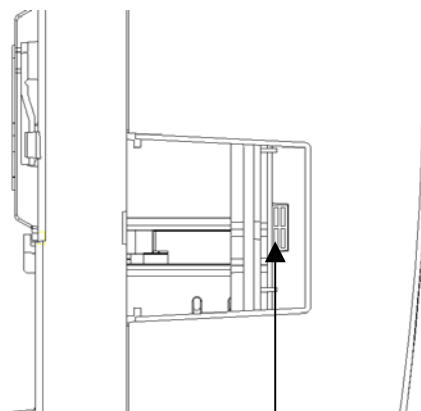
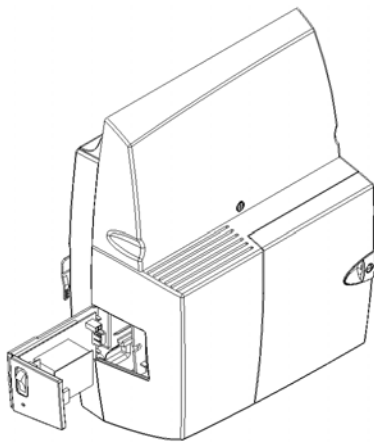
There are three cables connected to the charger unit. One with a connector, which connects to the PSU, and two with spade connectors which are connected to the battery.

Connect the cable with the connector to the PSU.

Thread the two cables for the battery up the cable guide to the battery compartment.

Push the charger unit home.

Replace the CCU cover.



**Battery charger connector
on the PSU**

Connecting the Battery

Ensure the battery switch on the BBU unit is turned off.

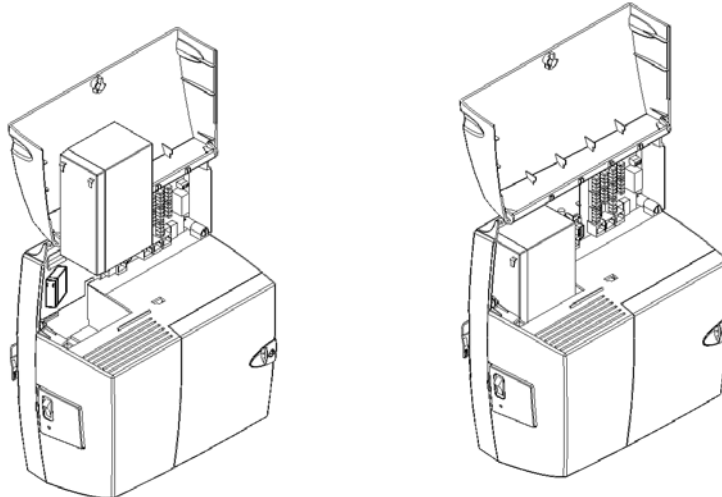
- This switch does not turn off the mains supply. The mains is disconnected by unplugging the mains cord
- Insert the battery into the battery cavity in the CCU
- Connect the cables from the battery charger to the battery ensuring that the cables are connected correctly. Red cable to Red battery terminal, black cable to Black battery terminal
- Turn the battery charger switch on.
- Reconnect the mains.



Led Indicators

A status LED on the BBU is provided.

- GREEN indicates the unit is running from mains power and the battery is charging or fully charged.
- ORANGE indicates the unit is running off the Battery
- RED indicates that the battery is discharged
- Flashing RED indicates the battery is disconnected and the switch is running from the mains

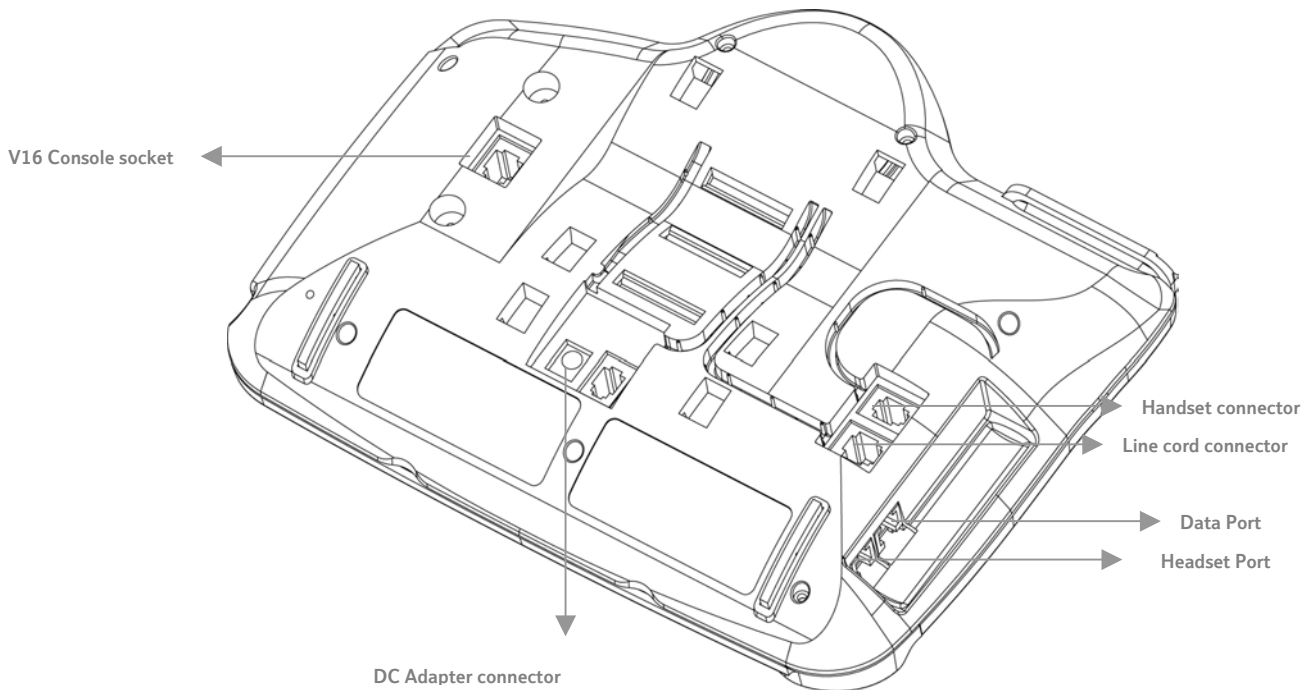


Featurephone V16



V16 Featurephone connections (underside of phone)

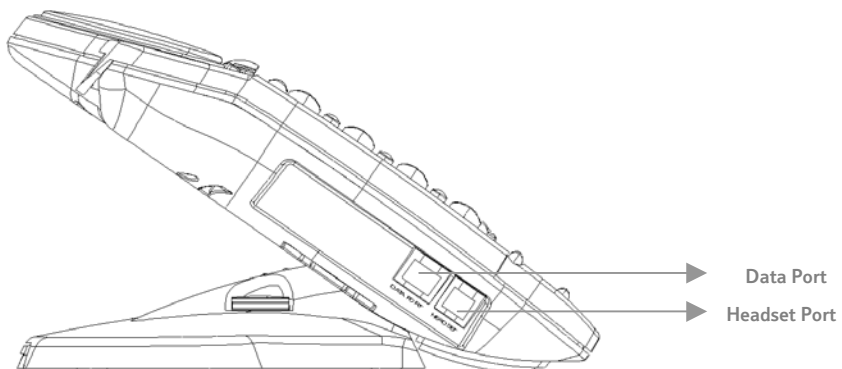
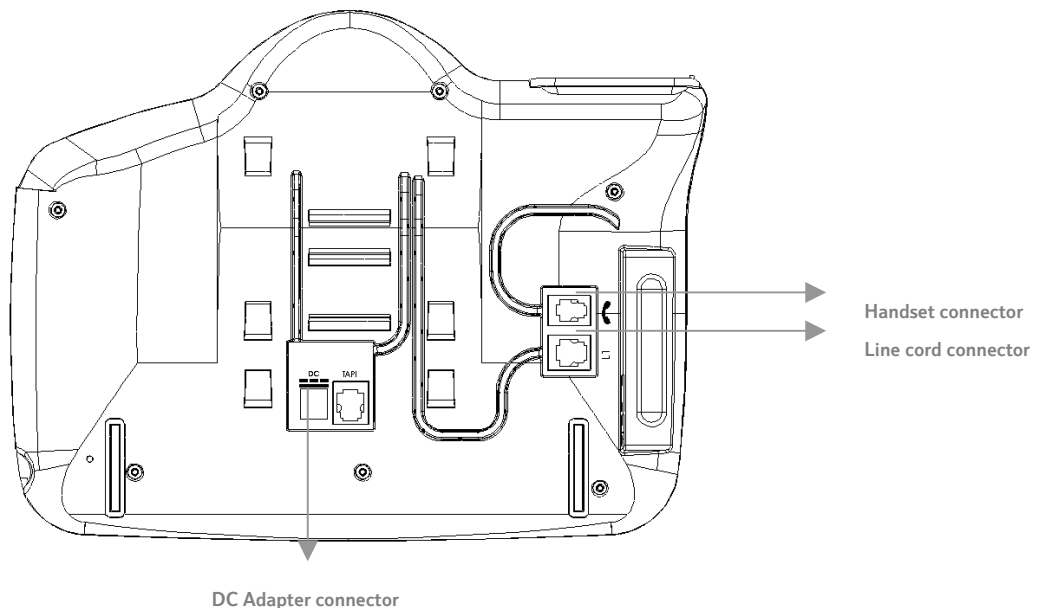
All V16 Featurephones are supplied with a 5v DC Power transformer



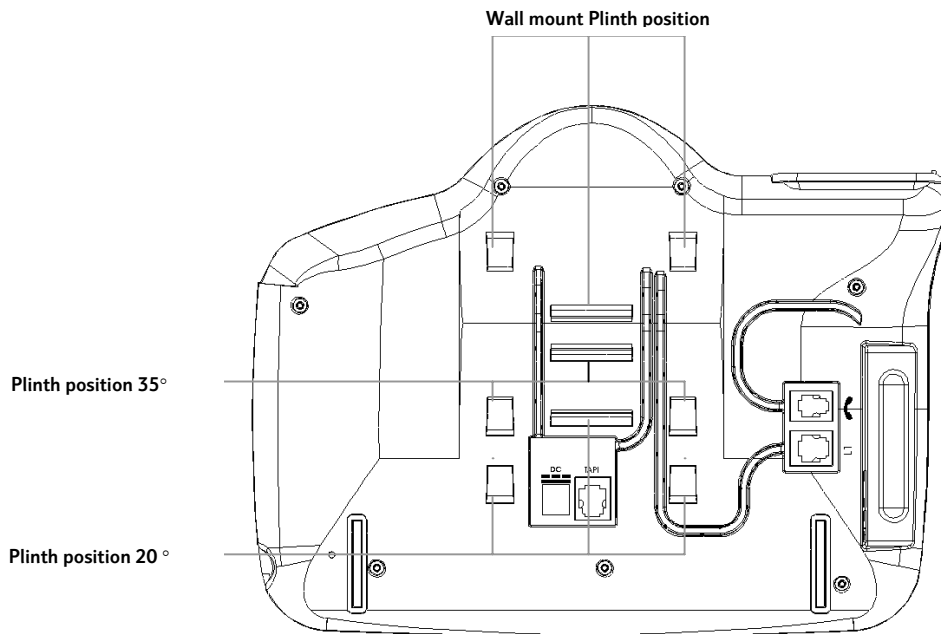
Featurephone V8



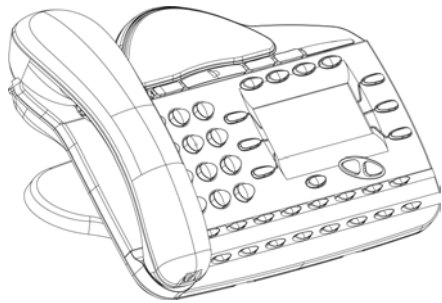
V8 Featurephone connections (underside of phone)



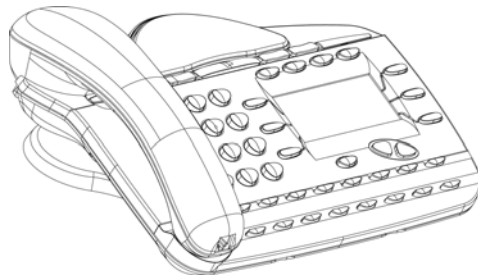
Attaching the Featurephone desk plinth (V8 and V16)



Position at 35 degrees



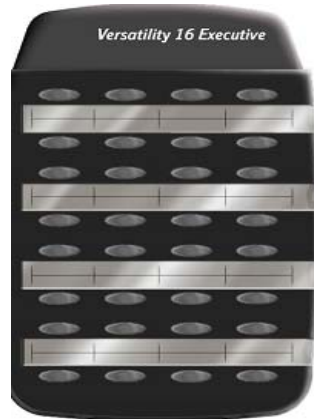
Position at 20 degrees



V16 expansion console

The V16 featurephone can be equipped with a 32 key module. This provides 32 additional programmable keys.

Up to eight V16 featurephones can be equipped with this module. From the system programming menus you program which extensions are equipped with this module.



V 16 expansion console

Feature phone with console

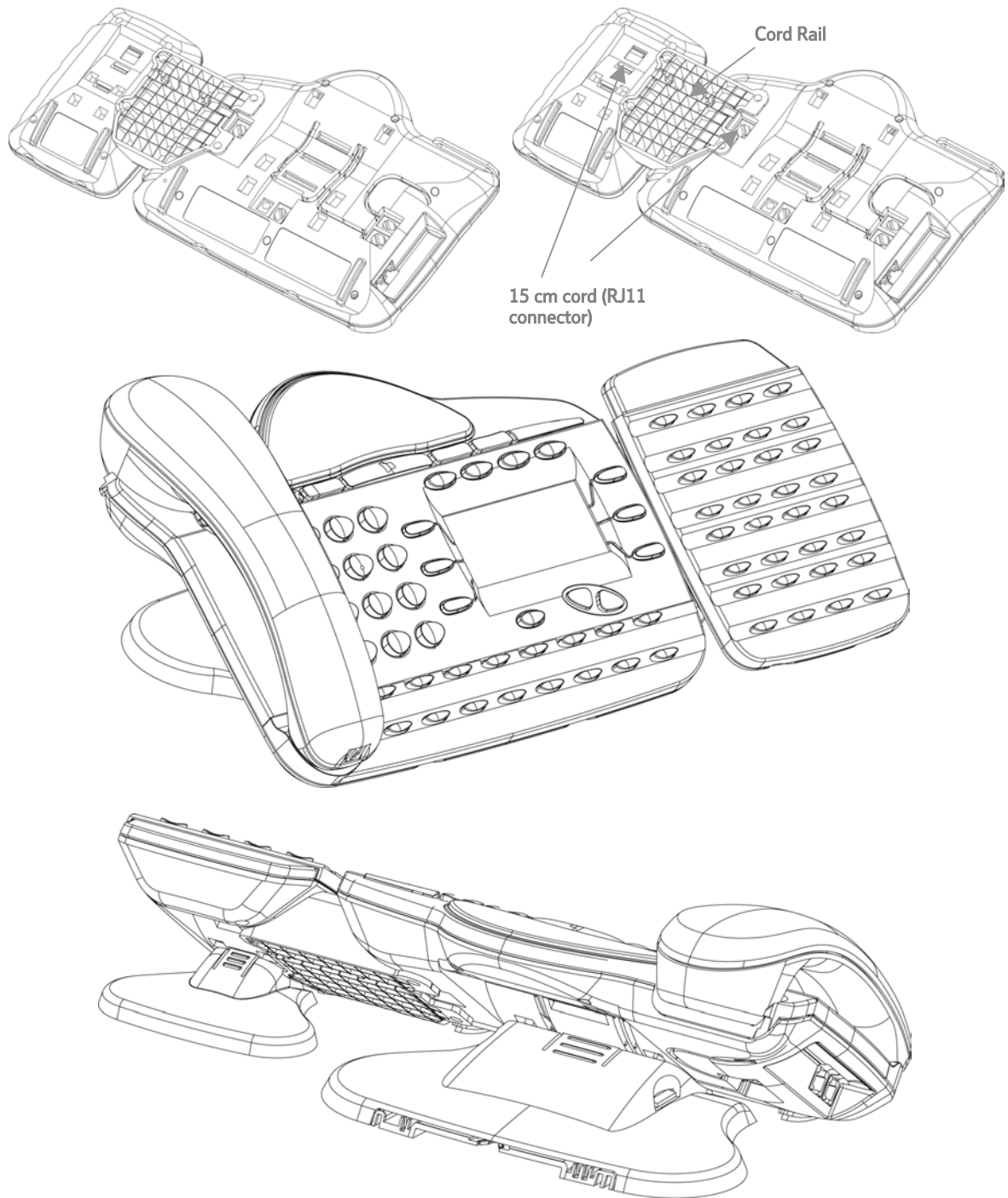


To connect the V16 Console to a Featurephone (V16 only)

Use the 15cm cord to connect the DSS to the base of the V16 Featurephone. The Console connector is marked on the base of the Featurephone.

Additional power must be supplied to the Featurephone. This is done by connecting the 5V power supply to the DC jack on the base of the Featurephone.

Clip, Plinth and installation of the V16 expansion console

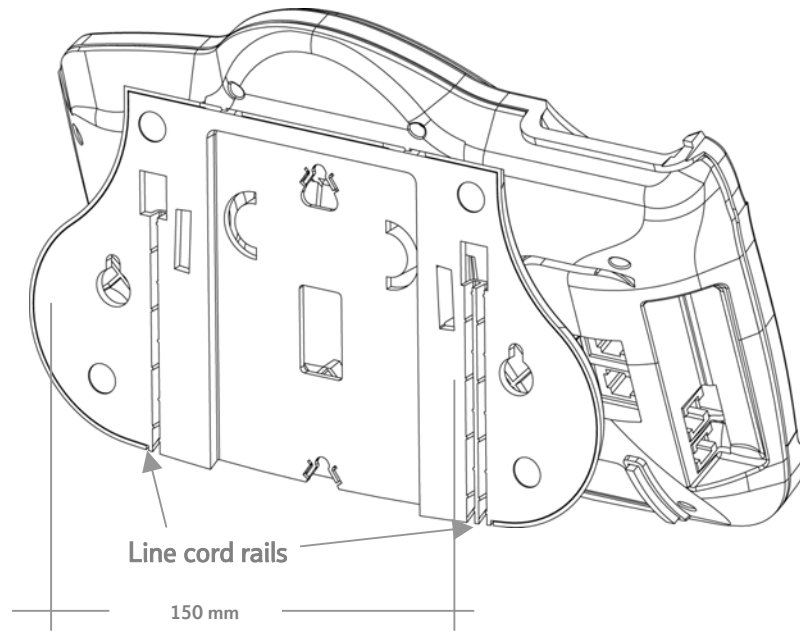


NOTE: For the 20 degrees position or the 35 degrees position relate to page 26.

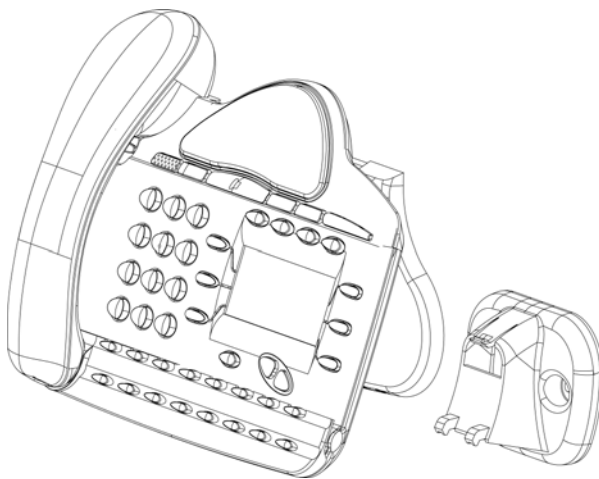
Wall-mounting a Featurephone

The phone plinth is inverted on the base to wall mount the phone.

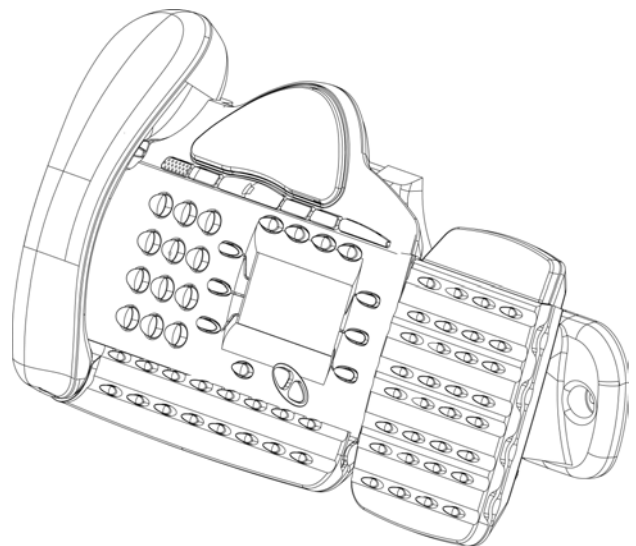
Locate, drill and plug the 2 screw locations as shown below. The holes should be deep enough to accept a 2.5 cm screw. Insert the two screws leaving sufficient space to clip the base over them. Locate the phone and base over the screws.



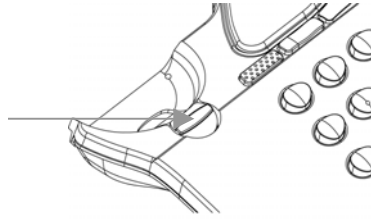
Featurephone in Wall Mount position



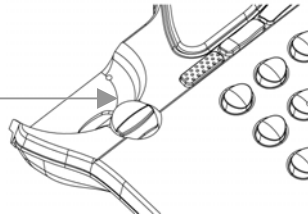
V16 and Console in Wall Mount position



Wall hook when the V8/V16 is in a 20 degrees or 35 degrees position

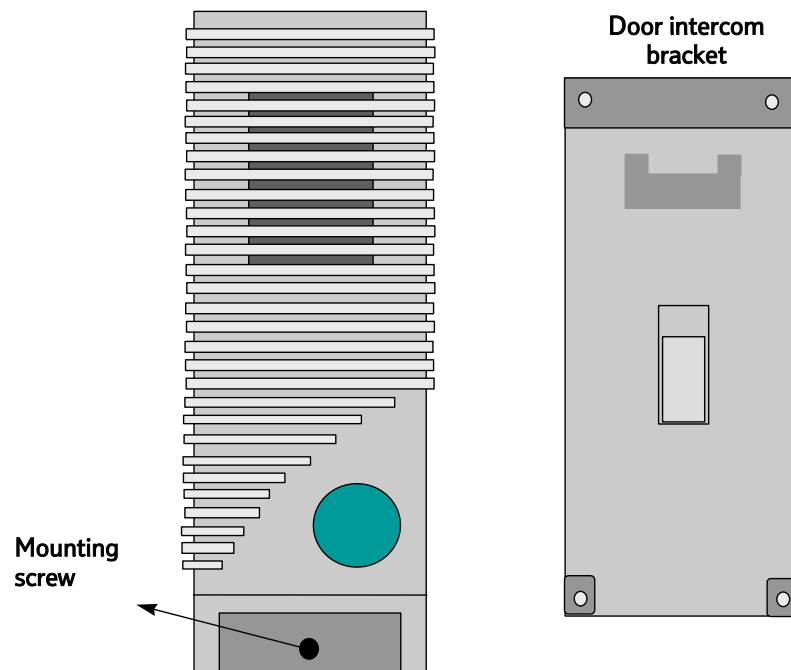


Wall hook when the V8/V16 is wall mounted.



Door Intercom

The door intercom is connected to extension 23, the fourth extension on the CCU.

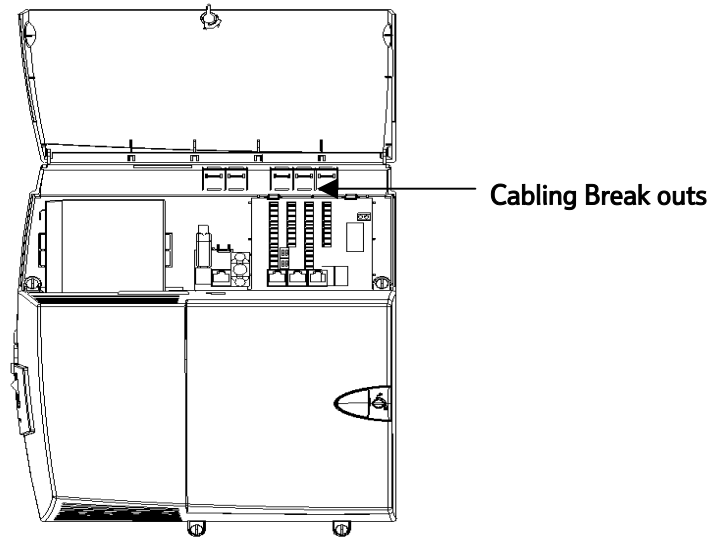


Connect the single pair from the door intercom to the AB connections on extension 23.

The system must be programmed to recognise the Door intercom. Refer to the **BT Versatility Owner's manual** for programming details.

Cabling the unit

All Line and Extension circuit cabling is inserted from the top of the unit. There are breakouts as shown on the top of the unit to facilitate routing of cables into the MDF area.



Connecting the extensions

It is recommended that all extensions be cabled with 2 pairs. The Featurephones use all four wires and standard phones use the a,b pair only.

Do not exceed the following resistance or distance limits when connecting extensions to the System Unit. (The distances listed assume 0.5mm-tinned copper conductor is used).

- 67 Ohms, or 400 metres, for system Featurephones.
- 336 Ohms, or 2 kilometres, for a standard telephone
- 336 Ohms, or 2 kilometres, for a standard telephone connected to the external extension on the Options Module

The Extension cables must be of twisted-pair construction, using insulated tinned copper wires of nominal 0.5 mm² cross-sectional area. Category 5 cable must be used for all ISDN installations.

It is important that this size and type of wire is correct since incorrect types can result in unreliable connections. Care should be taken to ensure that the cabling complies with all relevant cabling requirements.

Run cable from each Extension location to the Main Equipment. Pass the cable through the cable entry hole in the CCU or Expansion Module and terminate the Extension wiring at the appropriate connector in accordance with the table below.

BT Versatility

Installation and maintenance Manual

Four wires per Extension are connected at the Main Equipment. Spare wires must be neatly laid back away from the connectors. To prevent cross talk or interference, cable pairs should not be split or the spare wire of cable pairs used.

All Extensions should connect into standard line jack units. Extension cabling should not be exposed to high voltage surges, (for example, surges induced by lightning or neighbouring high current-carrying cables). If this is a possibility external protection of the Main Equipment and Extensions using 'earthed line surge protectors' is essential.



Connector pin- out	Function	RJ 12 pin out
A	Speech	Pin 2
B	Speech	Pin 5
C	Data	Pin 1
D	Data	Pin 6

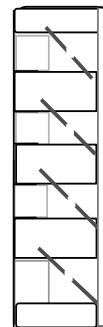
Standard 4-Wire IDC Krone connector

A Speech - LJU Pin 2

B Speech - LJU Pin 5

C Data - LJU Pin 1

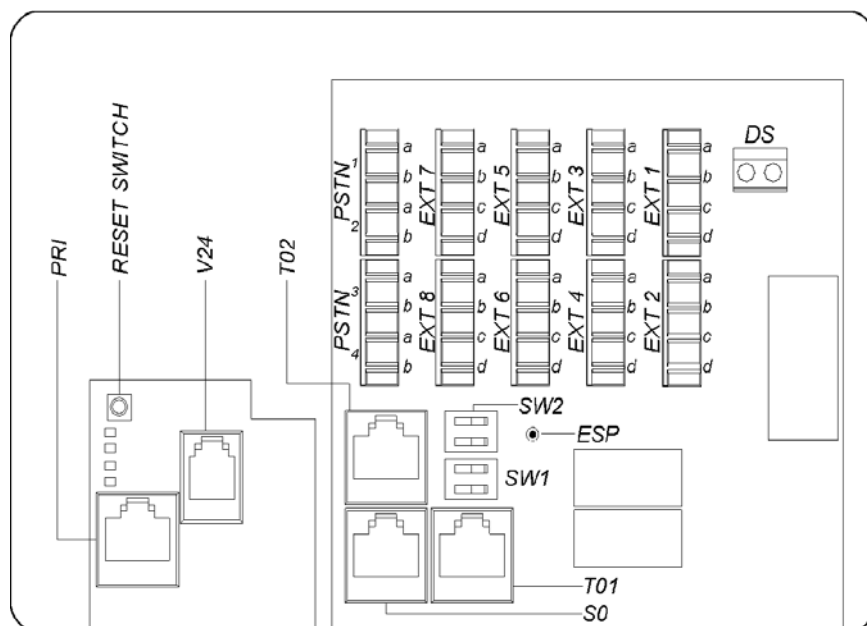
D Data - LJU Pin 6



CCU connections

The CCU has the following connectors:-

- Eight four way Krone connectors for the extensions
- Two four way Krone connectors for the Analogue Lines. Two lines are terminated on each connector.
- Three RJ 45 connectors for the Basic rate ISDN interfaces. Two T₀ network connections and one Internal S₀ connector.
- An RJ 45 for the ISDN Primary Rate interface PRI.
- RJ 11 connector for Serial Interface V24-1.
- 1 Serial port connector RS 323 (V24-2).
- A 2 position screw terminal for a doorstrike connection DS
- An ESP connector.
- A reset switch is provided which provides a warm reset.
- Two 2 pole switches are provided which provide the 100 ohm terminating resistance for the ISDN Basic Rate terminations, SW1 and SW2.



Door Intercom

The door intercom is cabled to extension 23, the fourth extension on the CCU. To operate the door intercom it must be programmed in system programming. See the Programming section of the Owner's manual.

Doorstrike

The doorstrike port provides a closed relay contact when in the operated condition. The relay contact is designed for low voltage DC equipment and should not be used for any voltages greater than those specified within the technical specification.

Connecting a MOH (Music On Hold Module)

Any of the extensions on the system, with the exception of the programming position, can be programmed as the external music on hold position. The MOH Module is connected to the a,b pair of the extension.

- The MOH Module is an optional component and must be ordered in addition to the system
- The MOH Module may be used with 40 extension Hotel Software Build 473 (or later)
- The MOH Module may be used with 32 extension System Software Build 474 (or later)

BT Versatility

Installation and maintenance Manual

- The MOH Module may be used with all Systems provided they are running above software versions or later

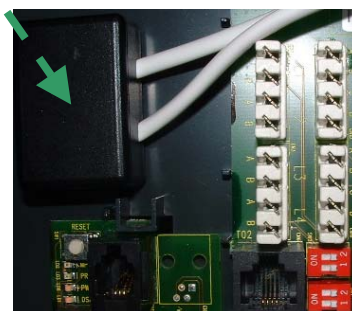
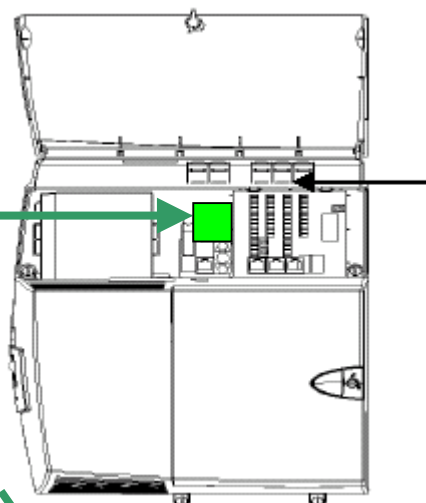
The MOH Module provides an isolation barrier between the Extension Port and the Music Source and it MUST be installed if an External Music Source is being connected to an Extension Circuit

The MOH Module contains:

1. An adhesive pad for mounting in the MDF area of the CCU (see diagram)
2. A “bare wire” lead for connection to the AB connectors of an extension port
3. A 3.5mm Stereo jack for connection to the External Music Source

Installation and connection

1. Open the MDF Cover of the CCU
2. Remove the MOH Module from packaging
3. Ensure clear access to the MOH fitting position (as below)
4. Remove Adhesive Backing paper from MOH Module
5. Fit MOH Module using Adhesive Pad in area shown
6. Fit with cables exiting to Right Side as shown below
7. Route Extension cable to preferred extension on the CCU or Por
8. Connect cable to AB port on extension using KRONE tool
9. Route the 3.5mm Stereo Jack connector to the Music Source ex source.
10. Complete any cabling and close the MDF.
11. Program the External MOH Extension Source
 - 11.1 Programming / System
 - 11.2 Music on Hold / Select External Source
 - 11.3 Select “External MOH Position”
12. Confirm operation and audio levels are satisfactory.



Connecting a PA (public Address) amplifier

Any of the extensions on the system, with the exception of the Long Line extension on the Options module and the programming position, can be programmed as a PA position. The PA is connected to the a,b pair of the extension.

Connecting a PC or Printer to the Serial Port

A 2 metre cord with a 4 way RJ11 plug on one end and a 6 way RJ plug on the other is provided. An RJ to DB9 adapter is also provided.

Connect the cord to the 4 way RJ11 connector on the CCU.

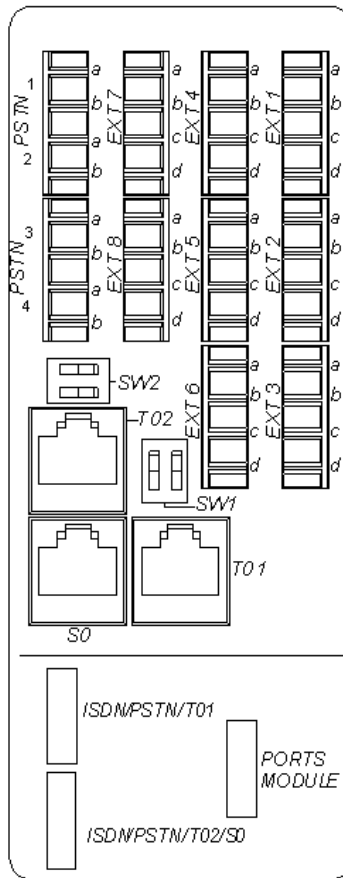
Connect to the PC using either the 6 way RJ plug or the cord and DB9 converter as required.

Ports Module MDF Connections

The connections on the Ports MDF are shown below.

- There are eight four-way Krone connectors for the extensions
- Two four-way Krone connectors for the Analogue Lines. Two lines are terminated on each connector.
- Three RJ 45 connectors for the Basic rate ISDN interfaces. Two T₀ network connections and one Internal S₀ connector.

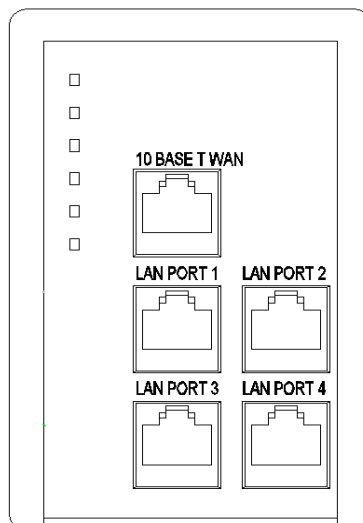
- Two 2 pole switches are also provided for the 100 ohm terminating resistance for the ISDN Basic Rate accesses, SW1 and SW2.



Internet Module MDF Connections

The Internet Module has 4 RJ 45 connectors providing 4 10/100Base T Ports for an Internal LAN and a connection for the ADSL modem via a 10 Base T WAN RJ45 connector.

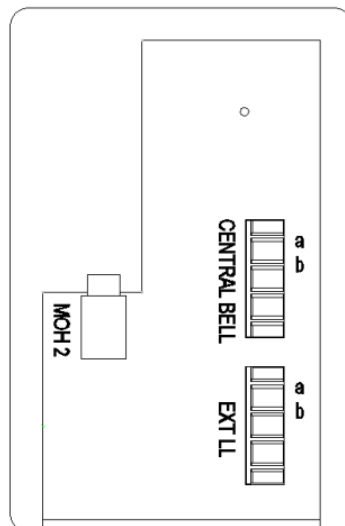
See page 49 for basic router programming.



Options Module MDF Connections

The options module is equipped with a stereo jack for an 'external Music on hold' input. Krone IDC connectors are provided for the Central Bell and the External extension.

The Central bell and the external extension are cabled with extension cabling. They are connected with a single pair a,b.



Central Bell

The Central Bell is cabled by running a cable pair from the central bell IDC on the Options Module to a master line jack unit. Bells/tone callers can then be connected to the line jack unit or hard-wired to LJU terminals 3 and 5.

External Extension

This port is designed to operate "long line " extensions up to a distance of 2 kilometres away from the main unit and is approved for connection of 2-wire external extensions using PTO network cabling.

Cable limitations

- 2-wire external extension = 2 kilometres maximum cabling distance or 3 dB at 1600 Hz.
- The cable route should not be exposed to high voltage surges, such as lightning.

Note: These figures assume the use of 0.5mm² diameter telephone wiring.

All Extensions should connect into standard line jack units. Extension cabling should not be exposed to high voltage surges, (for example, surges induced by lightning or neighbouring high current-carrying cables). If this is a possibility external protection of the Main Equipment and Extensions using 'earthed line surge protectors' is essential.



Expanding an Existing system

Modules may be removed and re-inserted in a system without disconnecting the power. See page 38.

However if additional modules are being installed in a working system it is necessary to power the system down before installing an MDF or Backplane.

If additional network modules are to be installed in spare slots, the system needs to be reset before the switch recognises the new modules.

Installing an additional Network (Analogue or ISDN) module

Modules can be installed in spare slots on the system without powering the system down. However the module will not be activated until the system is reset. This can be achieved by pressing the reset button on the CCU MDF.

Pressing the reset button will invoke a warm reset and clear any calls in progress



Installing additional modules

The system must be powered down before installing an additional MDF on the Backplane. When the MDF is installed it is recommended that the Module, and any additional Network modules that may be required, be installed before the system is powered up. When the system is powered up the additional modules will be recognised by the system.

The power must be disconnected before installing an MDF or Backplane. If Battery Back up is provided ensure the BBU switch is off and the mains is disconnected.



Maintenance procedures

Faults can be rectified on site by replacing faulty modules or PCBs

Hot Swapping faulty modules

The Network modules can be replaced without powering the system down.

If a Network module is replaced by the same type of module e.g. Analogue by Analogue, the switch will return to normal operation when the new module is inserted

If a Network Module is to be replaced by a different type of Network Module (e.g. an Analogue module replaced by an ISDN module) the system must be reset, by pressing the reset switch in the CCU MDF area, so that the system can recognise the new module type.

If an ISDN line is replacing an analogue line ensure the analogue line cable is disconnected before connecting the ISDN Line or installing the module. The same applies if an analogue line replaces an ISDN line.



The Ports Modules can be removed and replaced without powering down the system

The Options Module can be removed and replaced without powering down the system

The Voice module can be removed and replaced without powering down the system.

When a voice module is replaced all recorded messages and greetings are lost.

The Internet Module can be removed and replaced without powering down the system.

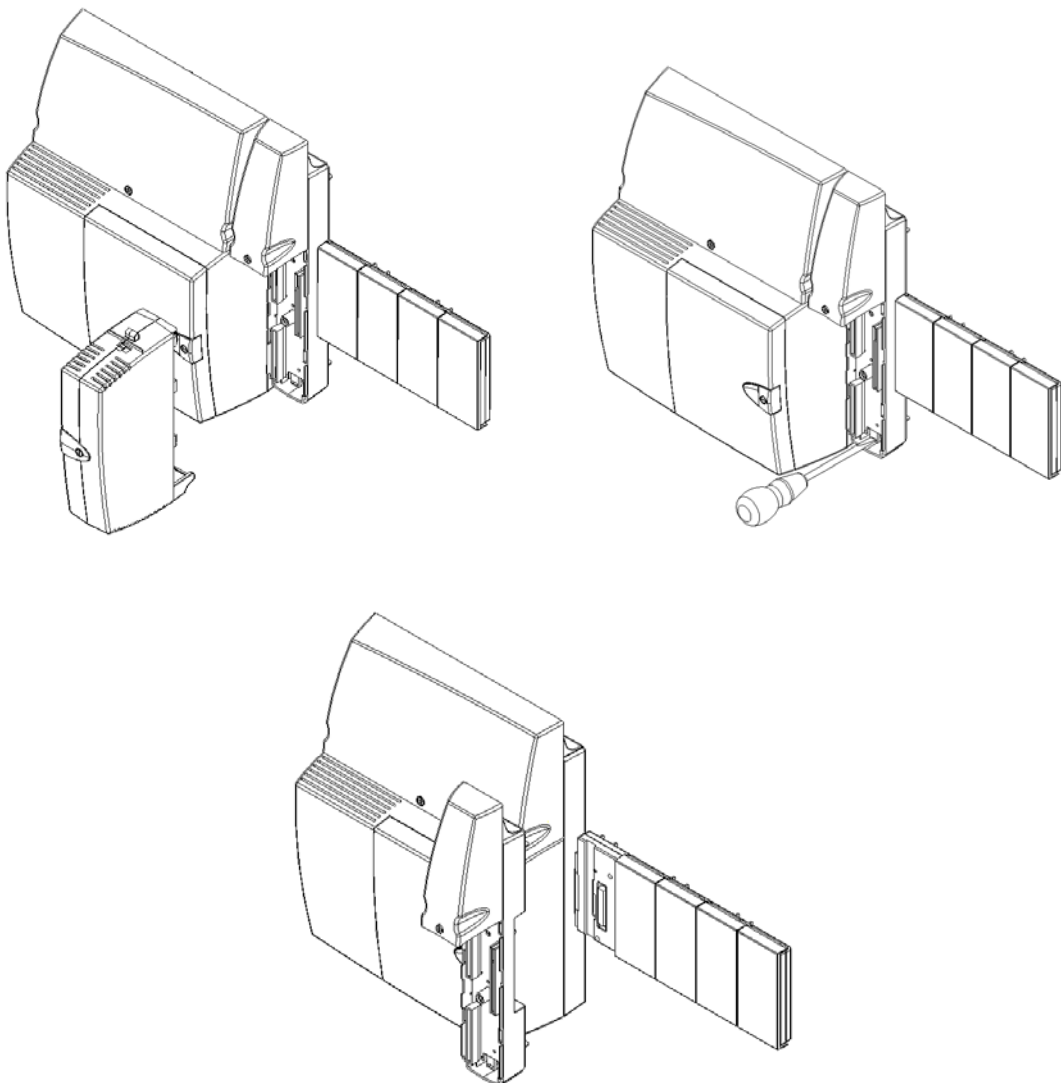
The Primary Rate ISDN Module can be removed and replaced without powering down the system.

The MOH Module can be removed and replaced without powering down the system.

Replacing a faulty Module MDF

To replace a faulty MDF of a Ports, Internet or Options module the procedure is as follows:

1. Remove the cabling from the MDF ensuring the cables are correctly tagged so they can be readily reinstalled.
2. Power the system down by unplugging it at the mains.
3. If a battery is installed turn off the BBU switch to disconnect the battery.
4. Remove the Module and any Network modules if appropriate.
5. Unlock the MDF module by pulling the locking bar down with a screwdriver.
6. Remove the MDF .
7. Reverse the procedure to install a new MDF.



Replacing Faulty PCBs

Replacing the 008 extension board

If a fault occurs on the first eight extensions the 008 extension PCB must be replaced.

This PCB is NOT hot swappable. The System must be powered down to change this board

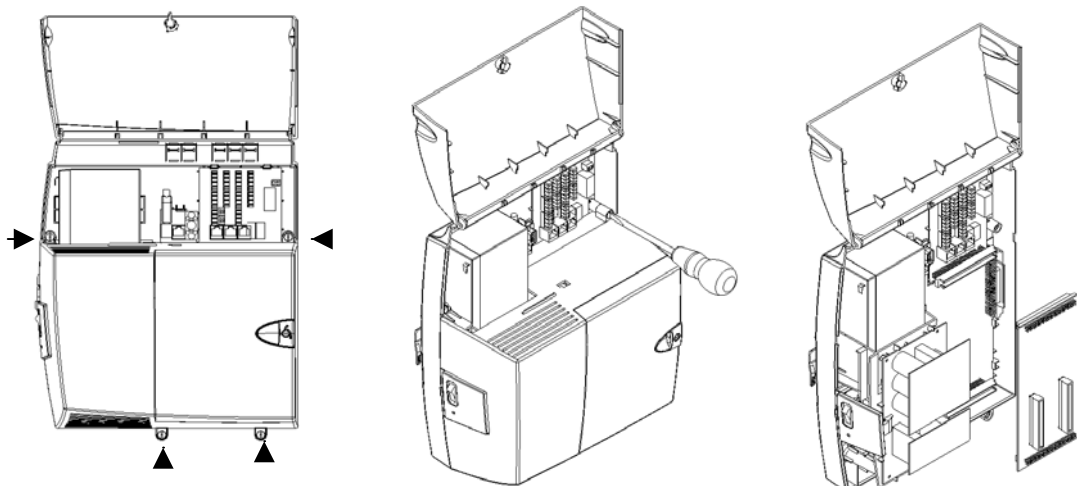


ESD precautions must be taken when replacing this board. Connect to the ESD pillar on the CCU MDF before removing the CCU cover



The procedure in replacing the 008 PCB is:

1. Power the system down by unplugging it at the mains.
2. If a battery is installed turn off the BBU switch to disconnect the battery.
3. Remove any voice or network modules installed.
4. Open the CCU main cover by releasing the four 'quarter turn' screws indicated in the first diagram below.
5. Remove and replace the 008 card as indicated in the second diagram.
6. Replace the cover.
7. Replace any voice or network modules.
8. Replace the cover and power the system up.



Replacing the CCU Control PCB

This PCB is NOT hot swappable. The System must be powered down to change this board

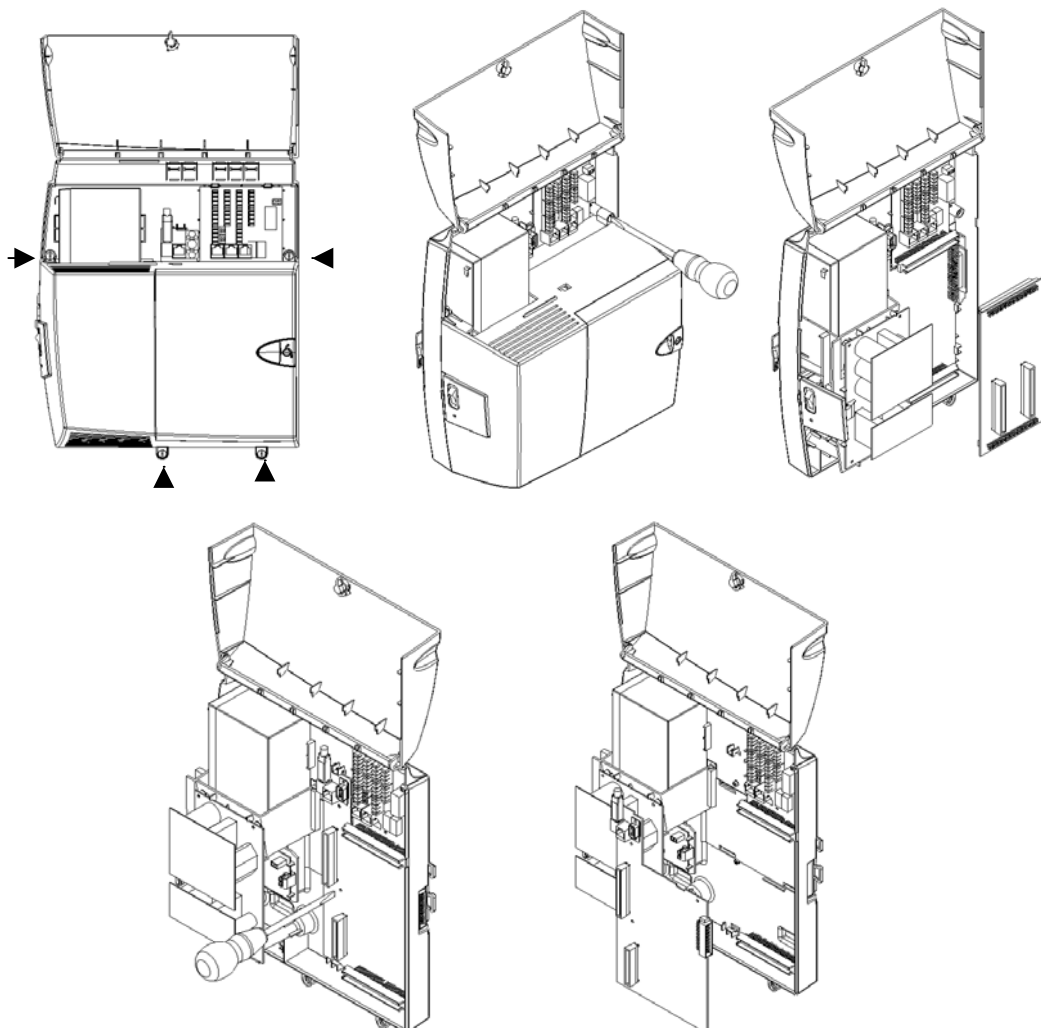


ESD precautions must be made when replacing this board. Connect to the ESD pillar on the CCU MDF before removing the CCU cover



The procedure to be used when replacing the CCU control PCB is:

1. Power the system down by unplugging the battery at the mains.
2. If a battery is installed turn off the BBU switch to disconnect the battery.
3. Remove any voice or network modules installed.
4. Open the CCU main cover by opening the four 'quarter turn' screws indicated in the first diagram below.
5. Remove the 008 card as indicated in the second diagram.
6. Remove the three fixing screws on the CCU control PCB as indicated.
7. Remove the power lead from the left-hand side of the CCU control PCB.
8. Slide the PCB to the left to remove it.
9. Reverse the above procedure to install a new PCB.



Power supply unit spare fuse

A spare mains fuse is located in the Power supply unit. It is in a holder directly below the installed fuse (3.15A T).

If there is no power being supplied to the unit check if the fuse is blown

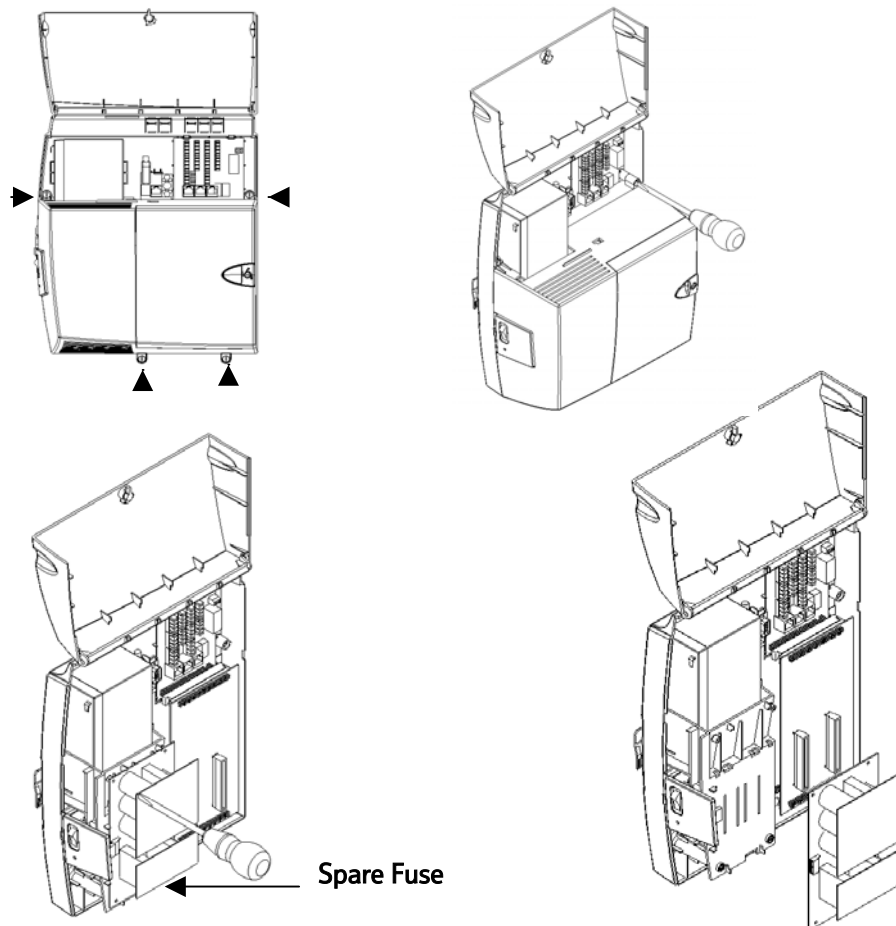
1. Power the system down by unplugging it at the mains.
2. If a battery is installed turn off the BBU switch to disconnect the battery.
3. Remove any voice or network modules.
4. Open the CCU main cover by opening the four 'quarter turn' screws indicated in the first diagram below.
5. Check the fuse on the Power supply
6. If it is blown replace it with the spare fuse

Note: The spare fuse should only be used to replace the installed mains fuse type 3.15A T and should not be used to replace any other fuse on the power supply board.

Replacing the Power Supply Unit

The procedure to be used when replacing the Power Supply unit is :-

1. Power the system down by unplugging it at the mains.
2. If a battery is installed turn off the BBU switch to disconnect the battery.
3. Remove any voice or network modules.
4. Open the CCU main cover by opening the four-quarter turn screws indicated in the first diagram below.
5. Unplug the PSU cable from the CCU PCB.
6. Disconnect the mains lead.
7. Disconnect the Battery charger lead if equipped.
8. Unscrew the four retaining screws on the PSU as indicated below.
9. Remove the PSU.
10. Reverse the above procedure to install a new PCB.



Replacing the CCU MDF

This PCB is NOT hot swappable. The System must be powered down to change this board

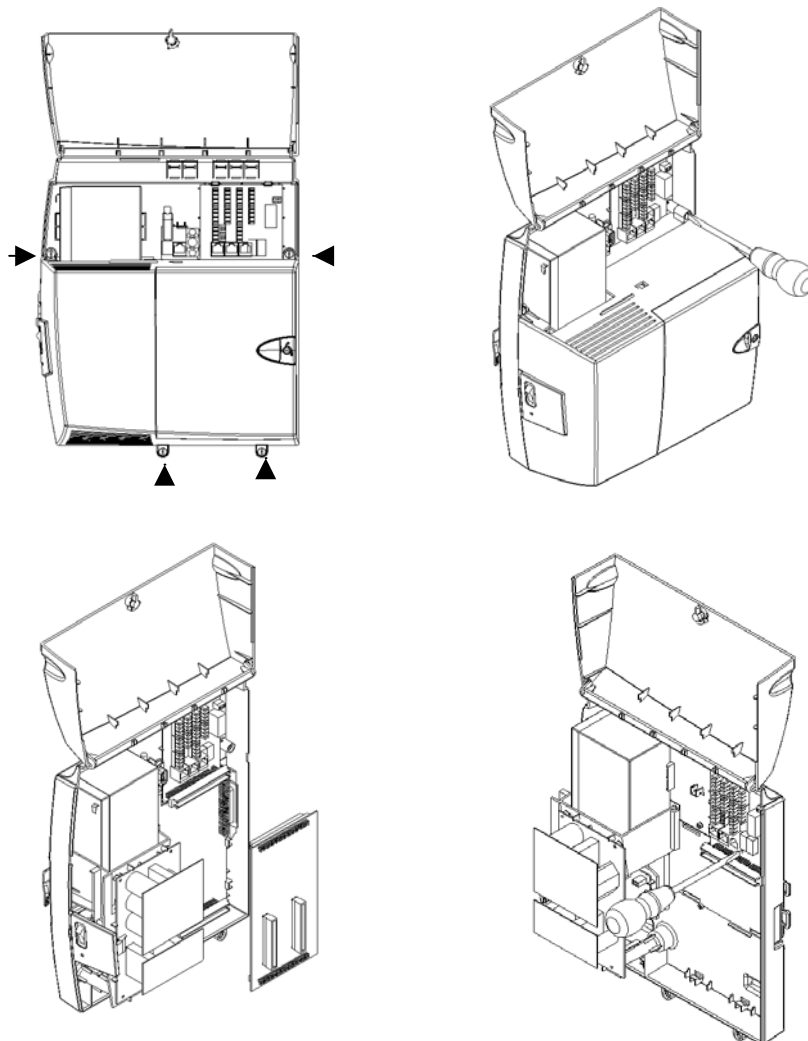


ESD precautions must be made when replacing this board. Connect to the ESD pillar on the CCU MDF before removing the CCU cover



The procedure to be used when replacing the CCU MDF unit is:

1. Power the system down by unplugging it at the mains.
2. If a battery is installed turn off the BBU switch to disconnect the battery.
3. Remove any voice or network modules installed.
4. Remove the MDF Cabling making sure to tag the cabling so they can be readily reinstalled
5. Open the CCU main cover by opening the four-quarter turn screws indicated in the first diagram below.
6. Remove the 008 PCB
7. Remove the retaining screw in the MDF PCB
8. Remove the MDF PCB
9. Reverse the above procedure to install a new MDF PCB



Power fail

When planning the extension wiring for the system, consideration should be given to the use and location of Featurephones and 2-wire extensions.

Analogue

In the event of a total system power failure, at least 50% of the equipped lines are switched to extensions. Lines 1 and 2 are power-failed to extensions 26 and 27, the last two extensions on the basic unit. Line 5 is power-failed to extension 34 and Line 7 to extension 35, the last extensions on each of the expansion boards. These line positions are summarised in the table below.

Note: If lines are power-failed to extension positions equipped with Featurephones, the user must replace the Featurephone with a standard 2-wire phone to answer or make calls. FEATUREPHONES CANNOT BE USED IN POWER FAIL.

Line position	Power-fail extension
Line 1	Extn 26
Line 2	Extn 27
Line 5	Extn 34
Line 6	Extn 35
Line 9	Extn 42
Line 10	Extn 43
Line 13	Extn 50
Line 14	Extn 51

ISDN

In the event of a total system failure, the ISDN lines will not operate. ISDN devices can be connected directly to the ISDN NTE or an external S bus, and work independently of the system.

Power up and test

- Ensure the mains plug is fitted with a 3A fuse.

Switch on

- Power up the system by inserting the mains plug.
- Wait approximately 30 seconds for the system power up routine to be complete.
- Check that the vital activity LED is flashing. This is the top led of the four LEDs in the CCU MDF area.
- Check the Power led is lighting. This is the third led in the CCU MDF area

Commissioning

1. Remove any anti-scratch protective film from Featurephone LCD's.
2. Label up all Featurephones and other telephones.
3. Ensure that all Featurephones provide dialling tone, ringing and hands free (loud speaking) facilities. Check that the display is not showing corrupt information.
4. Carry out a 'First Day Reset'.
5. Check that all other telephones are connected. Make sure all these phones ring and that you can dial from them.
6. Commission System

Programming

Essential programming is carried out either from a Featurephone connected to extension 20 or via the **BT Versatility** wizard, the programming PC application.

Ensure that the following programming is done.

Equipped exchange lines

The system assumes that all line cards have lines connected to them. If lines are not connected, it is vital to unequip these lines in system programming, as follows:

- From the programming position, press the phone programming key select 'System programming'.
- Enter the PIN and select 'Lines'.
- Select 'Equipped lines'.
- Equipped lines are denoted by ♦. Unequipped lines are denoted by ◇.
- Press HANDS FREE to finish programming.

Incoming ringing

The phones to be rung for incoming calls are programmed as follows

- Select 'Lines'
- Select 'Incoming Ringing'
- Select the Line or Access
- Select 'Day mode', 'Night Mode' or 'Day and Night mode'
- Select whether the line is to ring an extension or Group. If the Line is to be presented to the Auto Attendant or Courtesy service it is selected here.

Note that the first 8 extensions are in group 1 as default. To change the extensions in a group, select 'Lines' and then 'Group Programming'.

BT Versatility

Installation and maintenance Manual

Call Barring

Extensions are entered into different Classes for barring purposes. There are 6 classes selected under 'Extension' programming. There are also four tables of codes selected in 'System' programming which determine additional codes that are barred or allowed:

- Select 'Extensions'
- Select Restriction classes
- Select 'Day class of service' or 'Night class of service'
- Select the class and enter the extensions
- Class 1 is no calls barred
- Class 2 is International calls barred. Also any additional codes added to Table 2 in Class codes programming are barred
- Class 3 is National and International numbers barred. Also any additional codes in Tables 2 and 3 in Class codes programming are barred.
- Class 5 is associated with extensions when codes entered in the 'Allowed Table' in Class codes programming are to be allowed. This is combined with Classes 2 and 3
- Class 6 is the additional restriction codes in the Restricted Table in Class Codes programming. These can be combined with Classes 1,2 and 3.

Note: As the **BT Versatility** can support both ISDN and Analogue, it may be necessary to enable features for ISDN and Analogue options on the same system.

Internet Module Programming

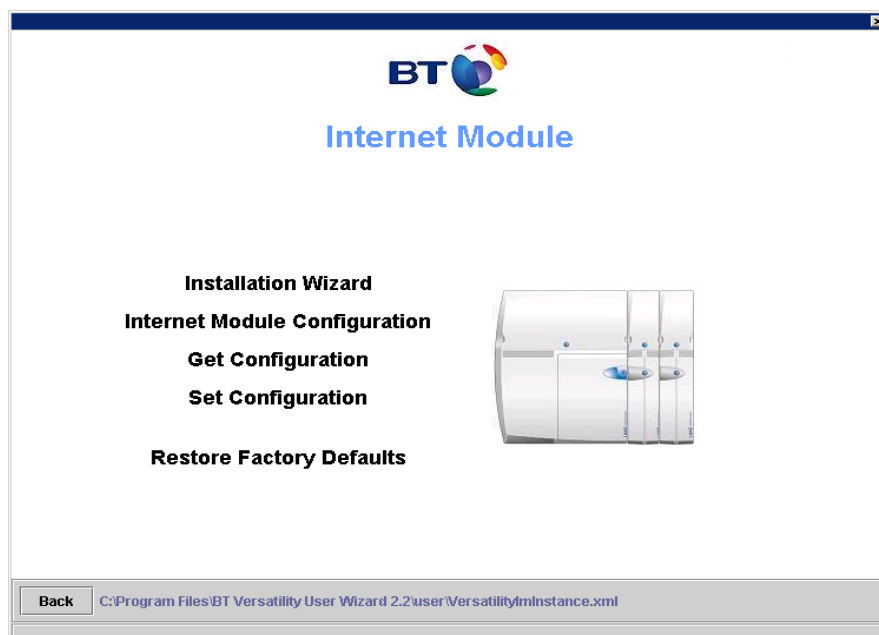
The Internet Module can only be programmed from the **BT Versatility** wizard programming package running on a PC connected to the serial interface. When the **BT Versatility** wizard is running select the Internet Module programming.

Installation Wizard

The installation wizard allows you to quickly and easily set up an Internet connection.

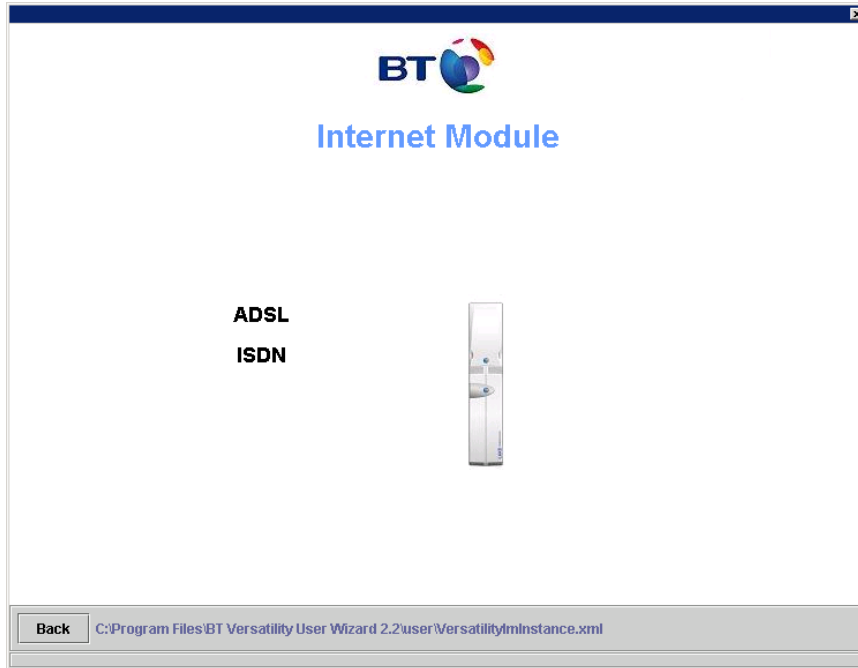
Before you use the wizard, you must have the following information to hand.

- If ADSL is to be used, get the following information. The Internet Service Provider (ISP) will provide this.
 - Username
 - Password
- If ISDN is to be used, get the following information. Your Internet Service Provider (ISP) will provide this.
 - Username
 - Password
 - Telephone number to dial for access
- Select the Installation Wizard from the BT Versatility wizard main menu



BT Versatility
Installation and maintenance Manual

- The following screen is displayed



- If an ADSL line is connected to the Internet module, select ADSL
- If ISDN is to be used, select ISDN

ADSL

ADSL provides a high-speed "always on" service whereby the Internet module is permanently connected to the Internet using a standard telephone line.

The following screen is displayed if ADSL is selected



- Enter a **Profile name** to identify the ISP used for Internet access. The name can be up to 20 alphanumeric characters long.

- Enter the **Username**. This will be provided by the ISP.
- Enter the **Password**. This will be provided by the ISP.
- **Profile active**. This must be set to Yes.

The Internet module is now set up to access the Internet using ADSL.

ISDN

The Internet module can use any ISDN line connected to the PABX to establish a dial-up connection to the Internet.

The following procedure is used to set up an ISDN connection.



The screenshot shows a window titled "BT Versatility" with the "ISDN Installation Wizard" logo. It contains three text input fields labeled "Username", "Password", and "Tel No". Below these fields, there is a "Profile Enabled" section with "Yes" selected (indicated by a filled radio button) and "No" unselected (indicated by an empty radio button). At the bottom, there are "Back" and "Send" buttons, and a status bar showing the file path "C:\Program Files\BT Versatility User Wizard 2.2\user\Versatility\mInstance.xml".

- Enter a **Profile name** to identify the ISP used for Internet access. The name can be up to 20 alphanumeric characters long.
- Enter the **Username**. This will be provided by the ISP.
- Enter the **Password**. This will be provided by the ISP.
- Enter the telephone number that the Internet module dials to access the Internet. This will be provided by your ISP.
- **Profile active**. This must be set to Yes.

The Internet module is now set up to access the Internet using ISDN.

Recommendations for customer training

As part of the installation, the customer is entitled to a 30 minute, system familiarisation tutorial. This should cover the following:

- Use of the Featurephone menus and associated keys
- Taking, making and transferring calls on Featurephones and two-wire phones
- Accessing system programming

The customer may wish to use the 30 minutes to explain a selection of other features, such as:

- Call transferring capabilities
- Programming Featurephone keys
- Time and date programming
- System and /or personal speed dial programming
- Incoming call handling
- Call barring, class of service parameters
- Extension reset facilities
- Connecting modems, fax machines, EPOS machines, etc.
- Use of Voice module features.

The features should be explained by using the **BT Versatility Quick Reference User Guide** and the **Getting Started User Guide**.

Ensure the customer has a **Quick Reference User Guide** for each extension, one copy of the **Getting Started User Guide** and the **CD-ROM**.

Troubleshooting

All faults can normally be traced quite readily to a particular PCB. Prior to replacing any PCB, fault conditions should be checked to see if they are caused by programming or mis-operation. The Featurephone display will often indicate which system features have been set.

- **System not initialising**

Check that all system cards have been properly installed, with all connectors fully located.

- **No incoming calls**

Check that all phones programmed to ring are not programmed for DND or divert.

- **Extension outgoing locked**

If you cannot get outgoing access on a 2-wire telephone, move a Featurephone to the extension. If it shows EXTN LOCK, the extension has been locked and you will need the unlock code to unlock it.

- **No extension dial tone**

Check that the extension has not been disconnected through programming.

- **Not seizing a line for outgoing calls**

- Check if the line has been programmed for incoming calls only.
- Check if the line is equipped in programming.
- Check that the key is programmed for line access.

- **Door intercom not operating**

Check the programming for the door intercom.

- **Phone reset**

Remember the simple phone reset code 739, which can be dialled from any extension phone.

- **System reset**

Reset: To do a warm reset of the **BT Versatility** press the reset button on the CCU MDF. You may also choose programming mode and choose system, reset options, and reset.

Reset to default: To do a cold reset of the **BT Versatility**, enter programming mode and choose system, reset options, and reset to default.

This will reset ALL programming to factory default.



Technical specification

Type of system	Hybrid/PBX	
ISDN 2 line	Max 4 ISDN (2B+D) Basic Rate lines	
Analogue lines	Max 8 Loop calling Guarded clear analogue lines	
Terminals	Max 33 V standard terminal, 40 on Hospitality system Max 32 V 8 - 8 key Featurephone, 40 on Hospitality system Max 32 V 16 - 16 key Featurephone, 40 on Hospitality system Max 8 V 16 expansion console - Additional 32 programmable keys Or approved apparatus	
Extension capacity	33, 40 on Hospitality system	
Featurephone capacity	32, 40 on Hospitality system	
Standard 2-wire apparatus capacity	33 (32 + external extension) , 40 on Hospitality system	
Extension loop resistance	67 ohms (0.4 km) 4-wire Featurephones 336 ohms (2km) Standard Telephone 336 ohms (2 km) extension 52 only supplied on the Options Module	
System REN	40	
Extension REN	2 (<i>see above for system max.</i>)	
Central bell	Separate port. In the Options module	
Central Bell REN	2 (<i>see above for system max</i>)	
Extension cabling	Standard 4 wire Twisted pair 0.5 mm ² cu	
Central control unit (CCU) 008	Height	390 mm
	Width	295 mm
	Depth	160 mm
	Weight	3.5 kg
Maximum capacity system 8+32 CCU 10 + 40 on Hospitality system	Height	390 mm
	Width	595 mm
	Depth	160 mm
	Weight	6.1 kg
Battery	12 V/7.2 AH	
Mains supply voltage	230 ± 10% V 50 Hz	
Maximum power consumption	350 VA	
Standard 2-wire telephone signalling	DTMF	
Standard 2-wire telephone recall signal	Timed break	
Serial Port	8 bit, no parity, 1 stop bit speed programmable 115k2,	
Voicemail Capacities	2 Port, 2 hours messaging capacity supporting 33 mailboxes(40 on Hospitality system), 10 Phantom Voice Boxes, 20 Group Boxes 4 Port -,4 hours messaging capacity supporting 33 mailboxes (40 on Hospitality system), 10 Phantom Voice Boxes, 20 Group Boxes 8 Port -,20 hours messaging capacity supporting 40 mailboxes , 10 Phantom Voice Boxes, 20 Group Boxes Maximum message length is defaulted at 1 minute but is programmable up to 3 minutes	
Music on hold	Internal and External calls External Music On Hold	
Tone on hold	200 ms on 200 ms off, 200 ms on 3.4 s off	

External Music on hold	Stereo jack connector (on Options Module)	
	Input impedance 10k ohm	
	Nominal 775 mV RMS	
	MOH Module (if no Options Module installed)	
	Input impedance 1k6 ohm	
	Nominal 200 mV RMS	
External Paging Port	Output Level 25 - 32mA Impedance 600 ohm	
System speed dials	Max. 500	
Extension current and voltage feed	Voice	36.5 volts 25 mA constant current
	Data	40 volts 10 mA constant current
Dial tone duration	10 s	
Programming	Featurephone (default extension 20) or PC Wizard through serial port	
Remote access	On ISDN or Analogue Lines. (Built in V32bis modem)	
Ringing voltage/frequency	± 40 V 50 Hz (trapezoid)	
Ringing cadences	Incoming call	400 ms on 200 ms off, 400 ms on 2.0 s off
	Internal call	1 s on 2 s off
	Door intercom call	400 ms on 2.6 sec off
	Call recalling	1s on 400 ms off, 400 ms on 1.2 s off
Tone frequencies	440 Hz ±5 Hz, unless stated otherwise	
Tone cadences	Dial Tone	Continuous tone of 440 Hz ±5% and 350 Hz ±5% combined
	Special dial tone	800 ms on 800ms off of 440 Hz ±5% and 350 Hz ±5% combined
	Ringback tone	1 sec on 2 sec off
	Busy tone	500 ms on 500 ms off
	Congestion tone	200 ms on 200 ms off
	Hold tone	200 ms on 200 ms off, 200 ms on 3.4 s off
	Conference tone	One burst of 400 ms
	NU tone	Continuous tone
	Call waiting tone	100 ms on 4.9 s off
Environmental requirements	Normal working temperature	0°C to 40°C
	Working humidity (non-condensing)	5% to 95%
	Storage temperature	-40°C to +85°C
	Storage humidity	5% to 95% @60°C
Doorstrike relay contact	Max rating	24 Volts DC
		2 Amps
Safety and protection	EN55022, EN55024, EN60950	
Door Intercom Size	Height	203 mm
	Width	73 mm
	Depth	38 mm
Colour of System	Charcoal	ref: Pantone 432C
Internet Module Info	LAN	4 x 10/100 Base-Tx ports
	ADSL	10 Base-T output for an external ADSL modem

BT Versatility
Installation and maintenance Manual

ISDN	Access to B-channels on PABX PPP, MLPPP, BACP
Protocols	IP V4
Authentication	PAP/CHAP
DHCP	DHCP server supports up to 100 IP addresses
Routing	Static routing
Firewall	NAT, Packet filtering
Call management	Idle timers Time of day restriction
Management	Local management Remote management Installation Wizard

Hotel Facilities

Optional software

Check in / Check out
Call billing
Programmable call charges
Room Status
Guest / Administration extensions
Message waiting
Alarm Calls

Helpdesk

Full remote support from a BT Maintenance Centre

Remote Diagnostics
Remote Programming
Automatic fault reporting can be provided

INDEX

- 20 degrees, 27
- 35 degrees, 27
- additional modules*, 38
- ADSL, 7, 36, 50, 51
- Analogue*, 46
- Analogue line module*, 16
- Analogue Line Module, 11
- Analogue Lines, 34, 35
- Analogue Module, 17
- backplane, 13, 14
- Backplane*, 13
- Battery*, 24
- Battery backup unit*, 23
- Cable limitations, 37
- Cabling*, 32
- Call Barring, 49
- CCU installation, 8
- CCU location*, 8
- CCU mounting*, 8
- Central bell*, 37
- Central Bell, 7
- Commissioning*, 47
- Connector pin- out, 33
- Customer training, 53
- Digital Line Module, 11
- Door Intercom, 7, 34
- Door Intercom connection*, 31
- Doorstrike*, 34
- doorstrike connection, 34
- Electrostatic precaution (ESP)*, 4, 4
- Equipped exchange lines, 48
- erlang, 23
- Expanding*, 38
- Expansion, 12
- Expansion module*, 15
- Extension connection*, 32
- External extension*, 37
- faulty Module*, 40
- Faulty PCBs*, 41
- Featurephone, 25, 26
- Featurephone connections*, 25, 26
- Featurephone plinth*, 27
- Featurephone wall-mounting*, 30
- Hot Swapping*, 39
- Incoming ringing, 48
- Installation Checklist, 7
- Internet Module*, 36, 39
- Introduction, 3
- ISDN*, 46, 52
- ISDN expansion module*, 18
- ISDN interfaces, 34, 35
- ISDN Module*, 18, 19
- ISDN Primary Rate interface, 34
- ISDN settings*, 20
- Led Indicators, 24
- Lightning*, 4, 33, 37, 38
- Long-line Extension, 7
- Module*, 11
- Options Module*, 37, 39
- Ovida, 48, 50
- PA (public Address)*, 35
- PC or Printer to the Serial Port*, 35
- Ports Module*, 35
- Ports Modules, 39
- Power Supply Unit*, 44
- Power up*, 47
- Power-fail extensions, 46
- Primary Rate Interface*, 22
- Primary Rate ISDN, 39
- Primary Rate ISDN module, 11
- Programming*, 48
- reset switch, 34
- S₀ interface*, 20
- Safety*, 4
- Safety and precautions, 4
- Spare fuse*, 43
- Switch on*, 47
- T₀ interface*, 20
- Technical specification, 55
- Troubleshooting, 54
- V16 expansion console*, 28, 29
- V16*, 25
- V8*, 26
- Voice module, 39
- Voice module 2 or 4 port, 11
- Voicemail card*, 21
- wall bracket*, 12, 13
- Wiring*, 32
- Wizard*, 50
- Your Internet Service Provider (ISP), 50



The CE Marking on this equipment indicates
Compliance with the following

This device conforms to Directive 1999/5/EC on
Radio Equipment and Telecommunications
Terminal Equipment as adopted by the
European Parliament And Of The Council



Offices Worldwide

The telecommunications services described in this publication
are subject to availability and may be modified from time to time.
Services and equipment are provided subject to British
Telecommunications plc's respective standard conditions of
contract.

Nothing in this publication forms any part of any contract.

© British Telecommunications plc 2003
Registered office: 81 Newgate Street, London EC1A 7AJ
Registered in England No. 1800000

Printed in Ireland

PHME 42396/11/04
Part No. 2734.31000-4

Printed on paper which meets international environmental standards